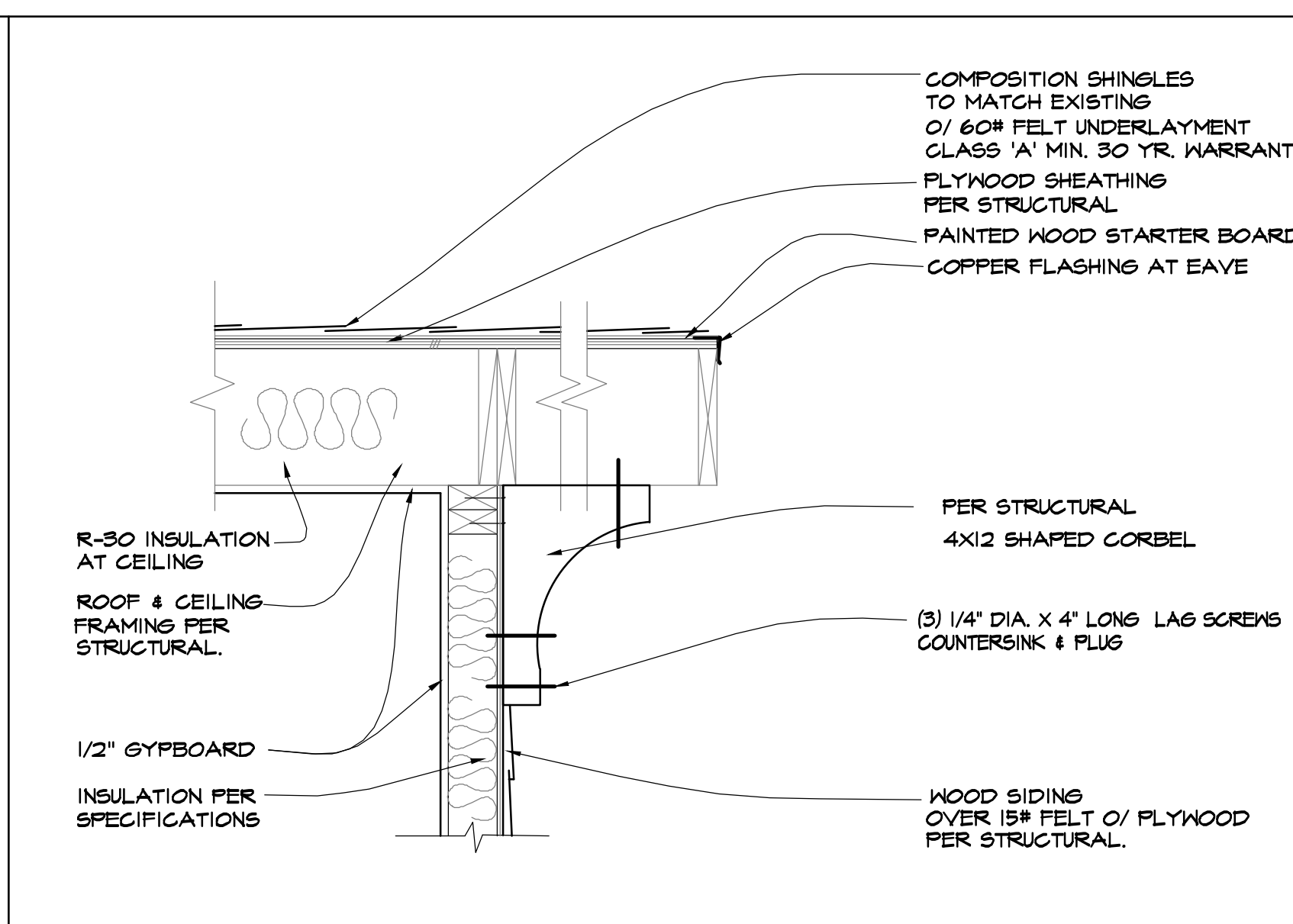
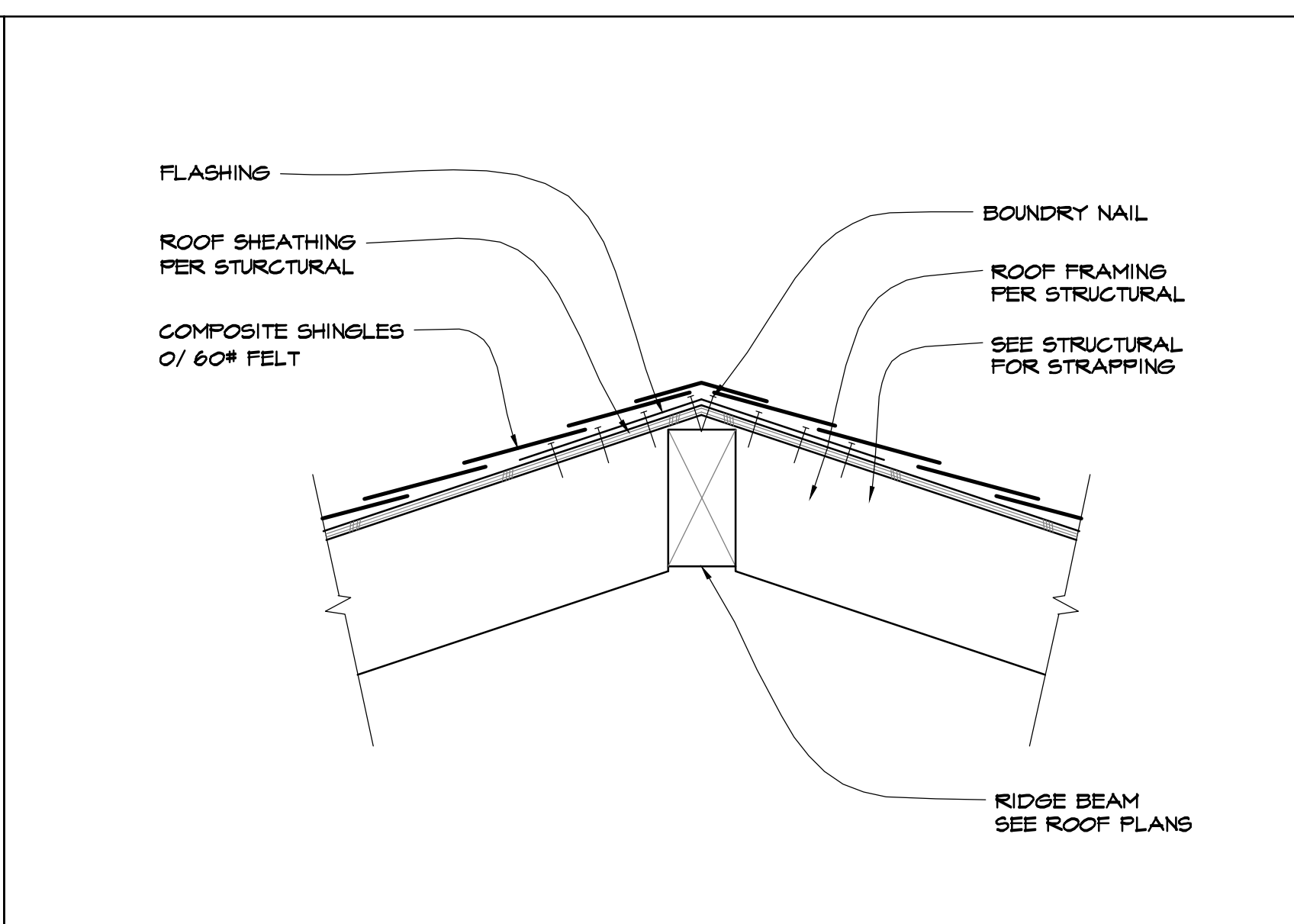


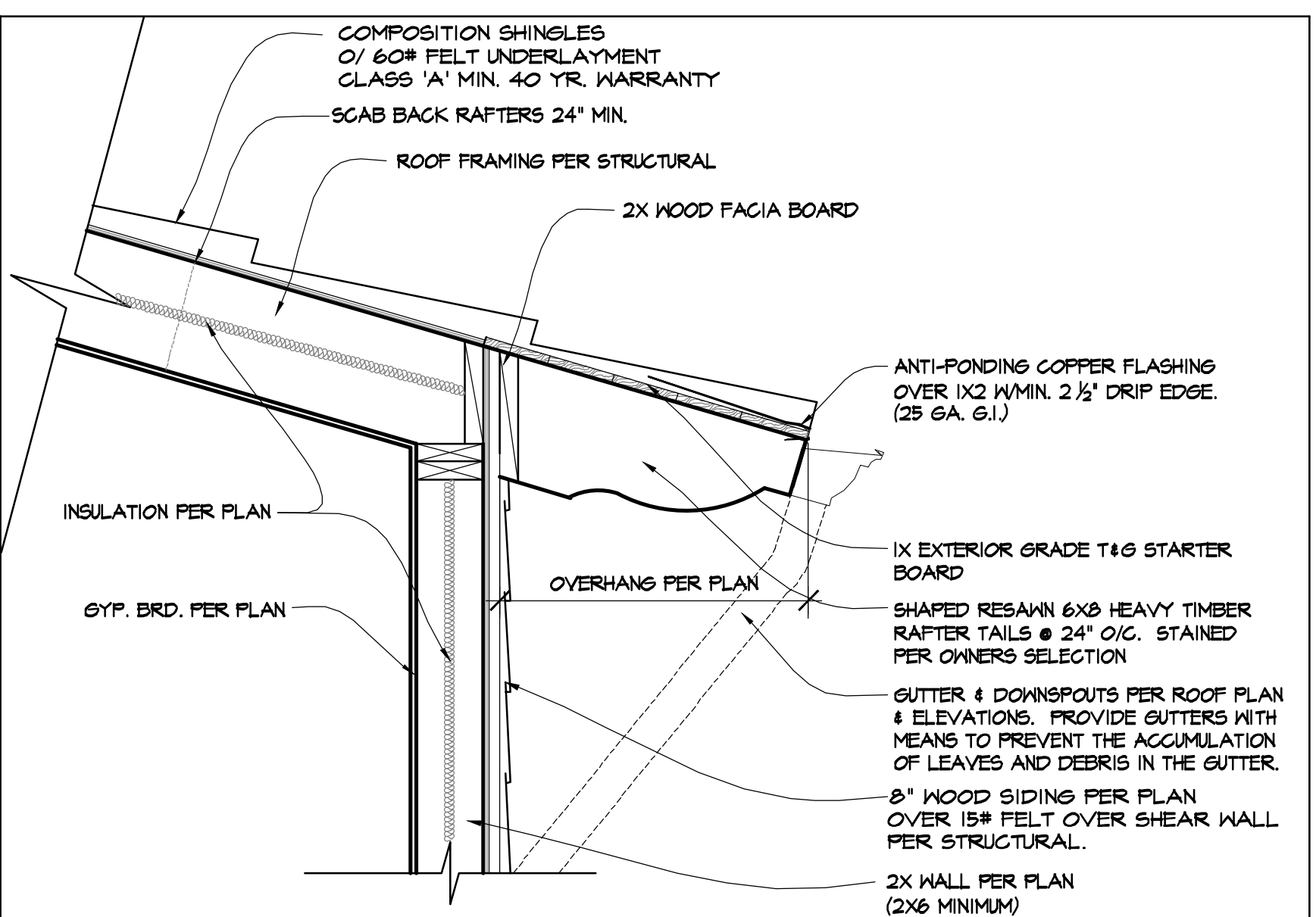
13 AT.1 RAISED FLOOR @ STEM WALL SCALE: 1" = 1'-0"



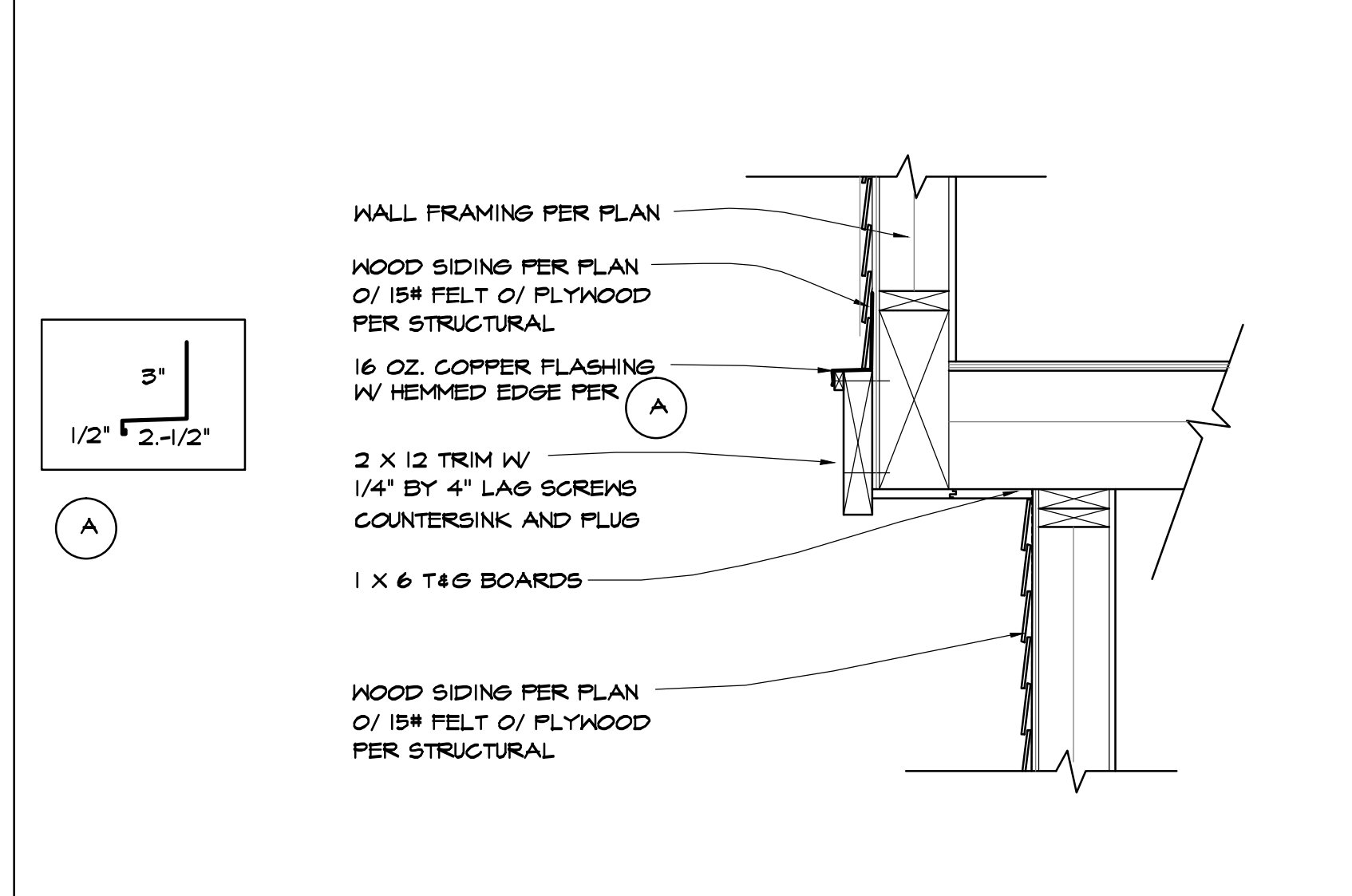
9 AT.1 CORBEL DETAIL SCALE: 1" = 1'-0"



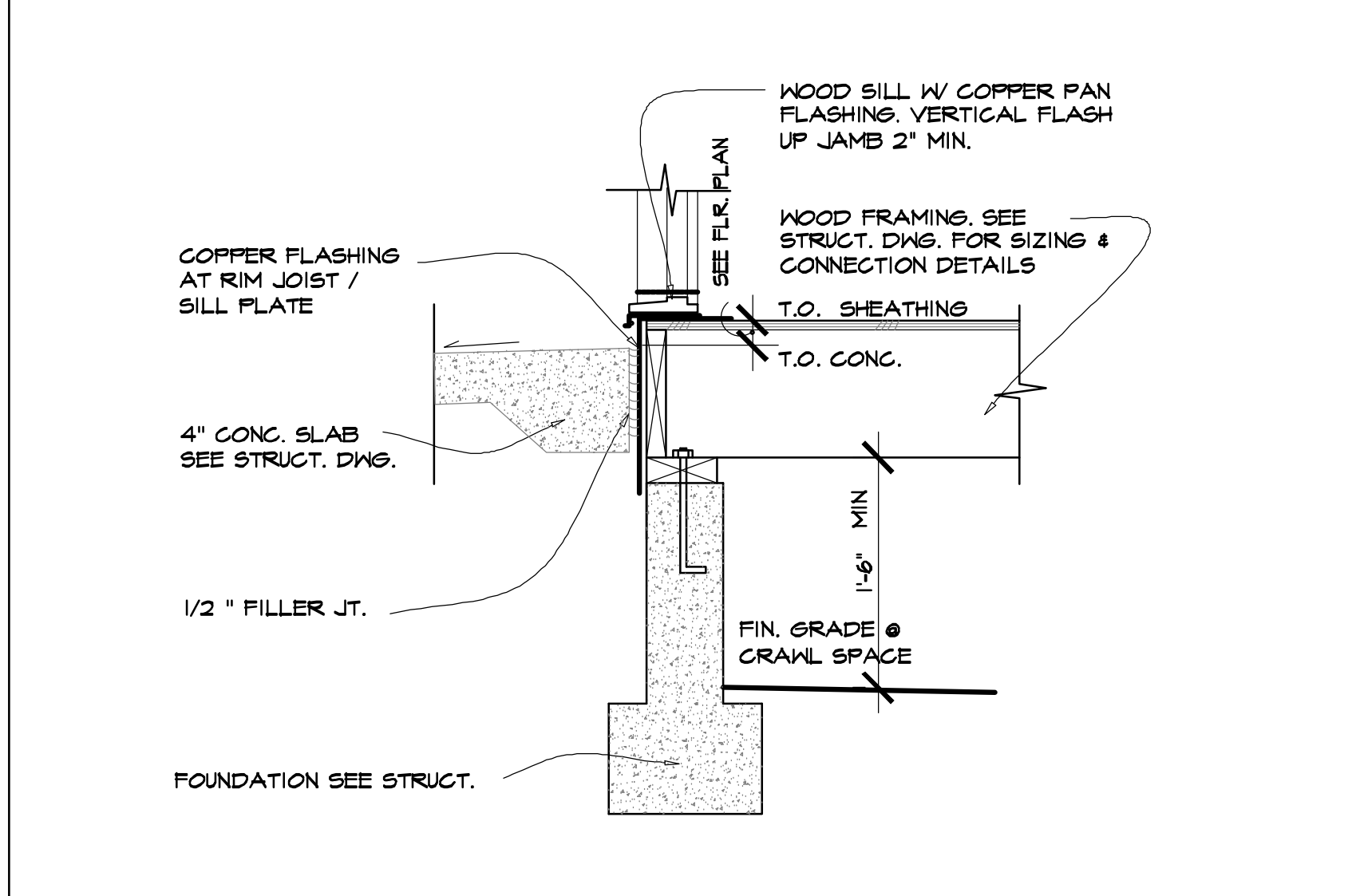
5 AT.1 TYP. RIDGE SCALE: 1" = 1'-0"



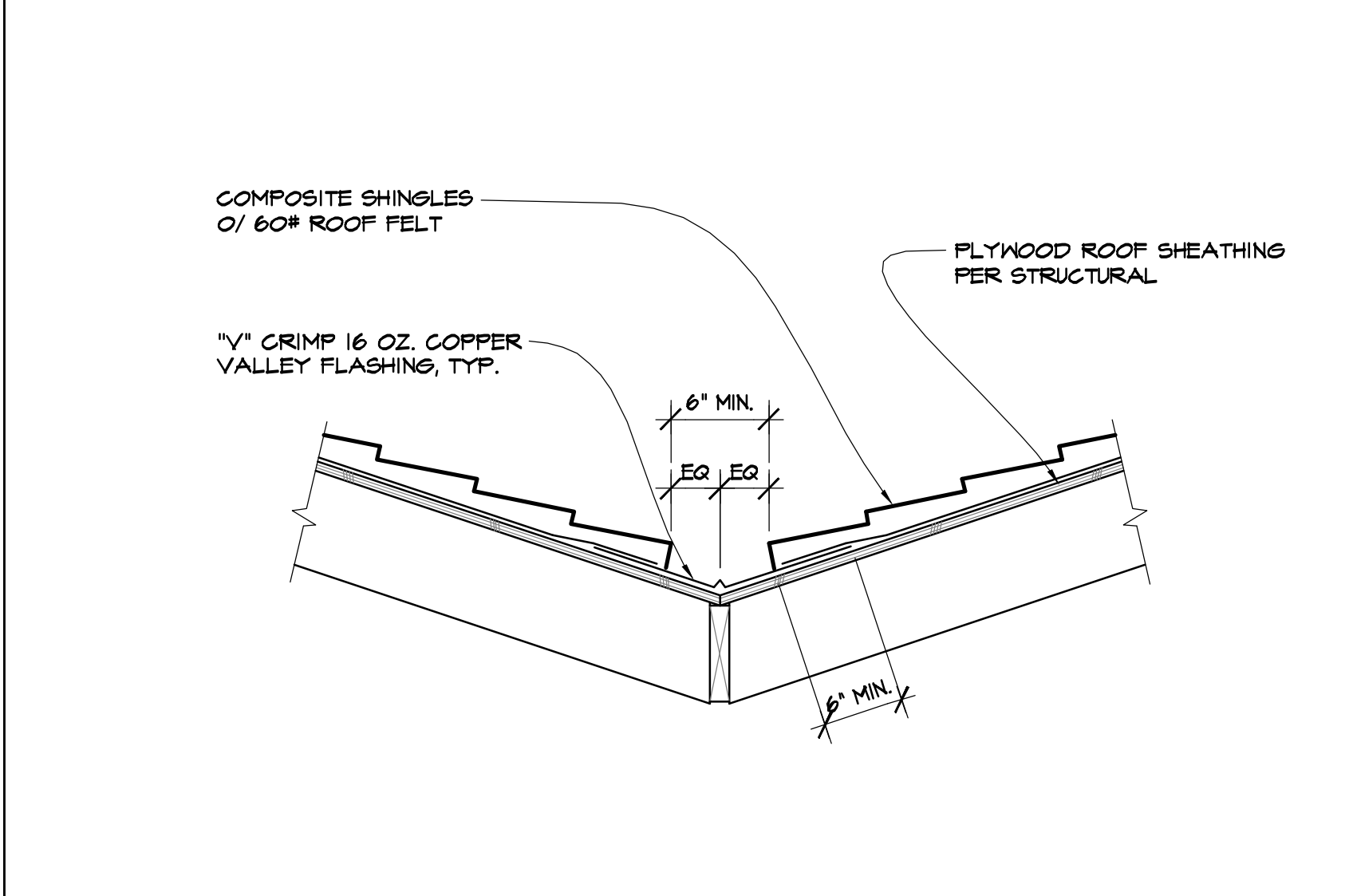
1 AT.1 ROOF EAVE SCALE: 1" = 1'-0"



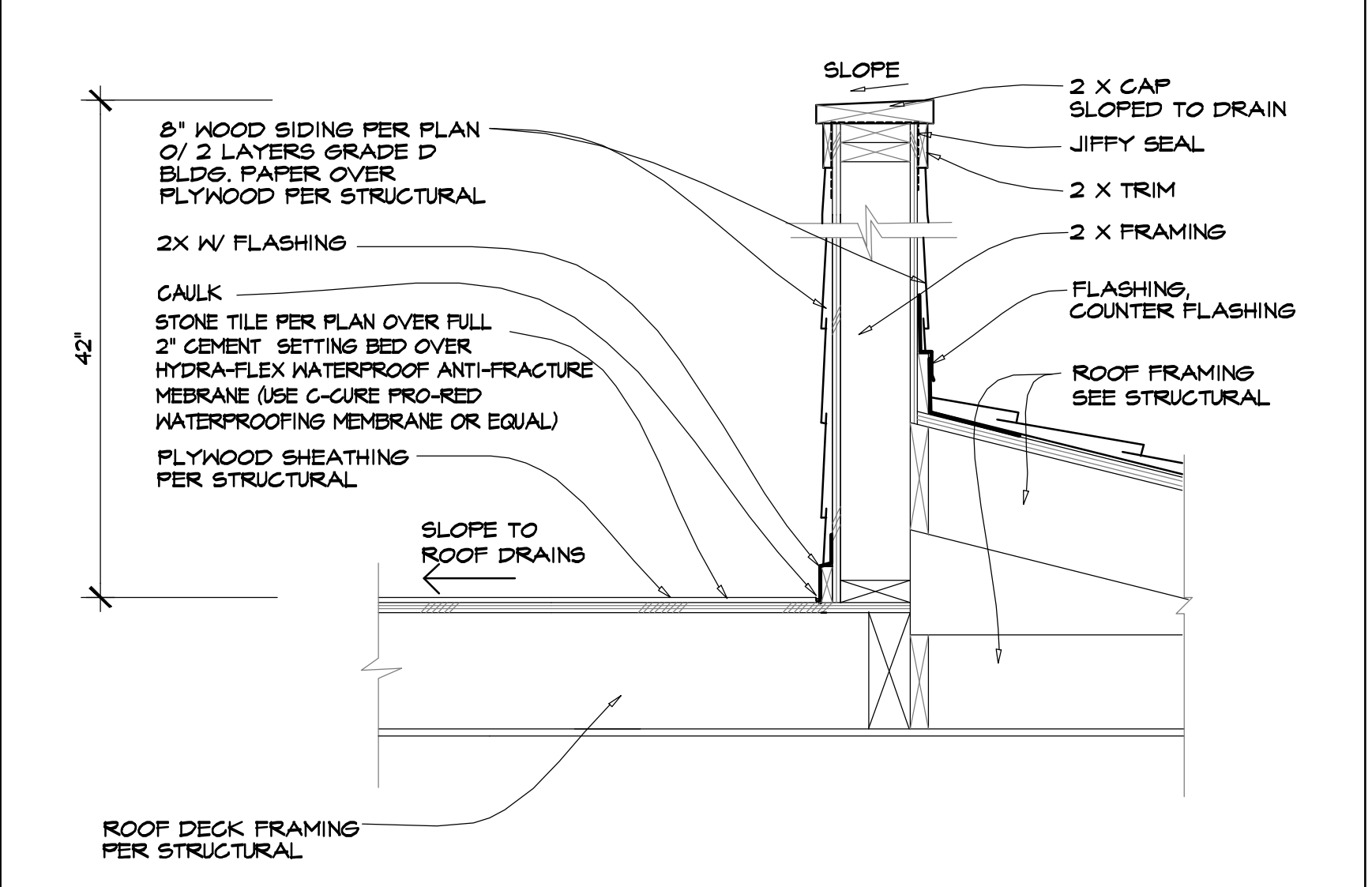
14 AT.1 TRANSITION @ WALL OVERHANG SCALE: 1" = 1'-0"



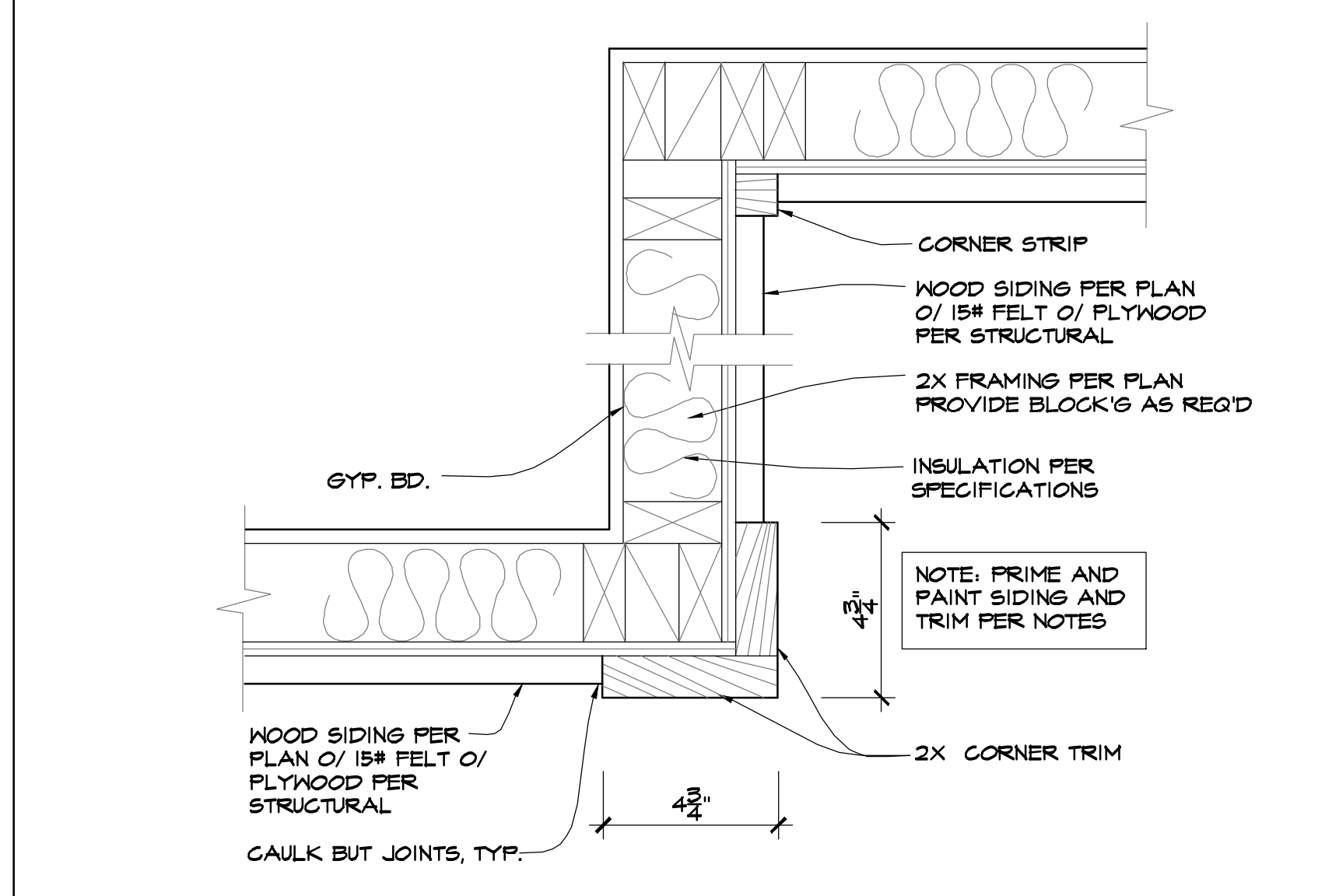
10 AT.1 EXT. DOOR THRESHOLD @ PATIO SCALE: 1" = 1'-0"



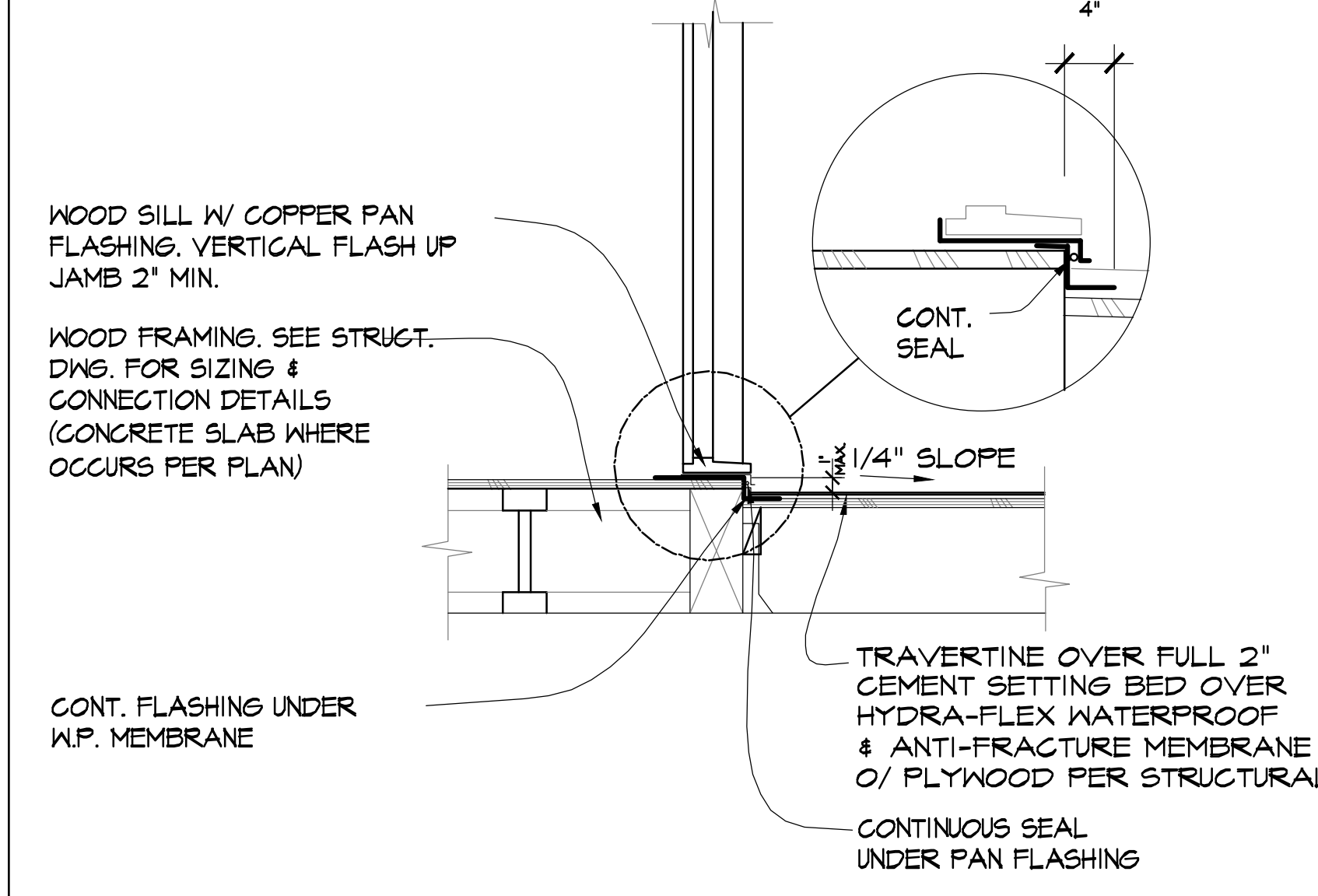
6 AT.1 TYP. VALLEY SCALE: 1" = 1'-0"



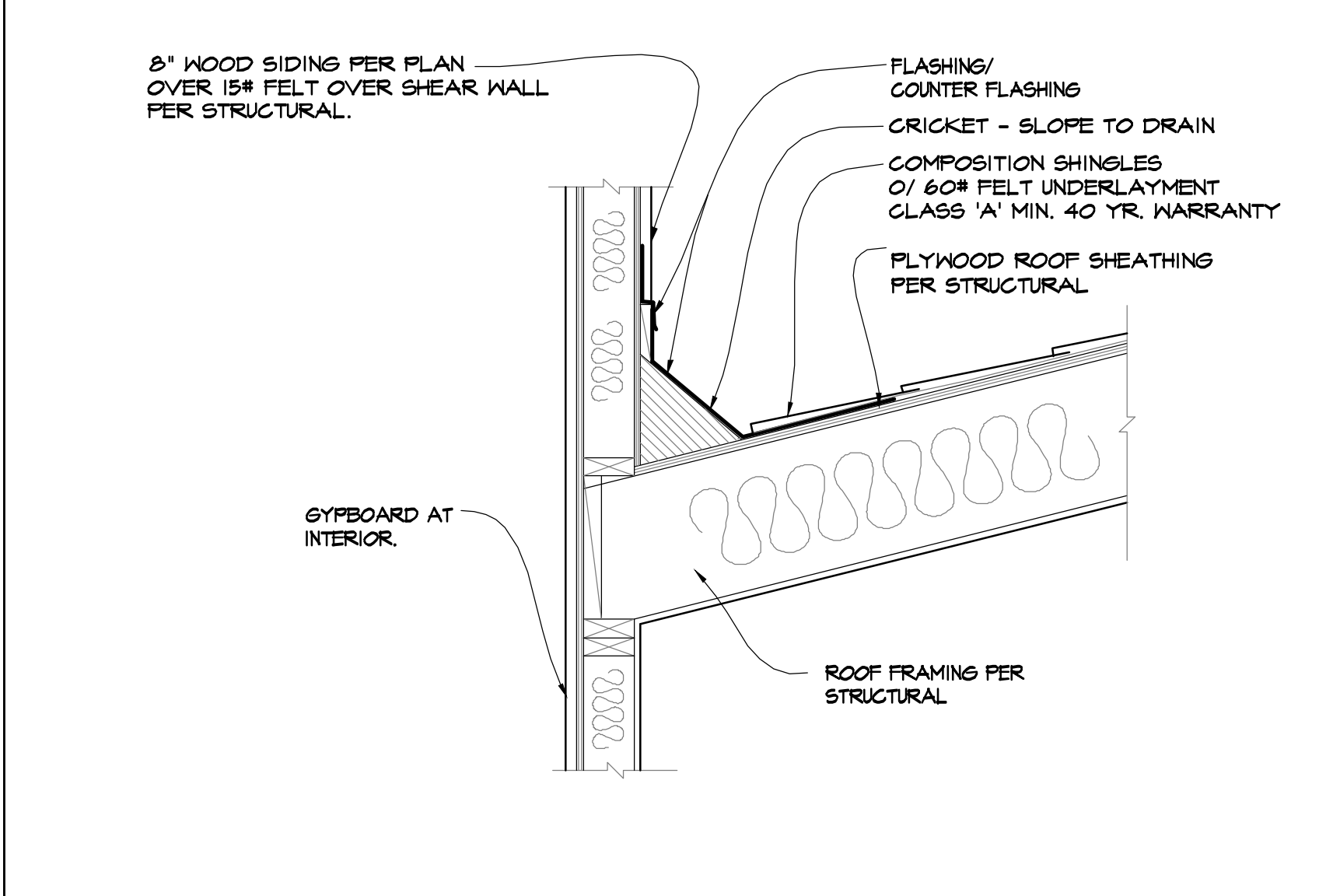
2 AT.1 ROOF TO PARAPET SCALE: 1" = 1'-0"



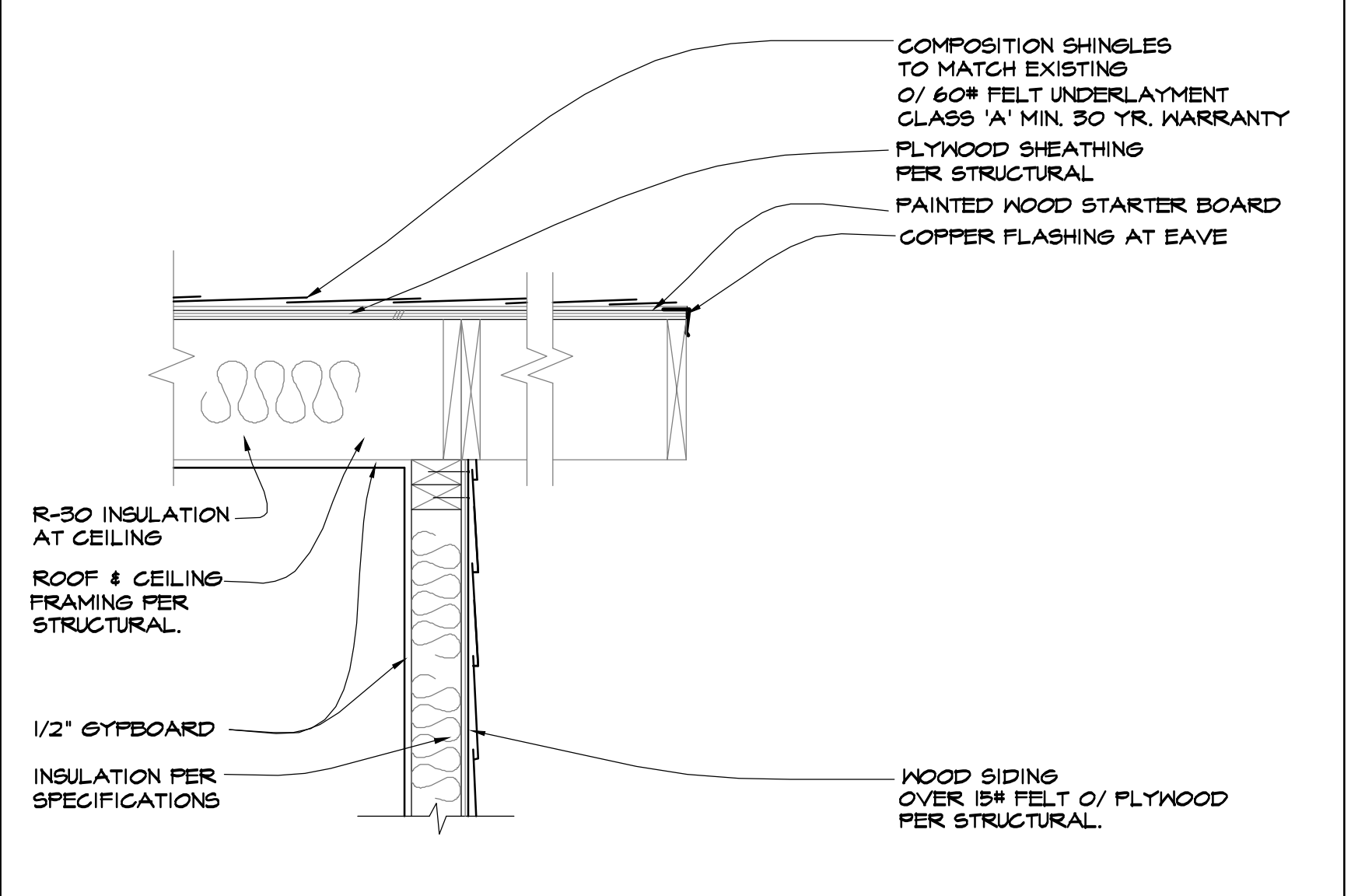
15 AT.1 SIDING @ CORNER SCALE: 3\"/>



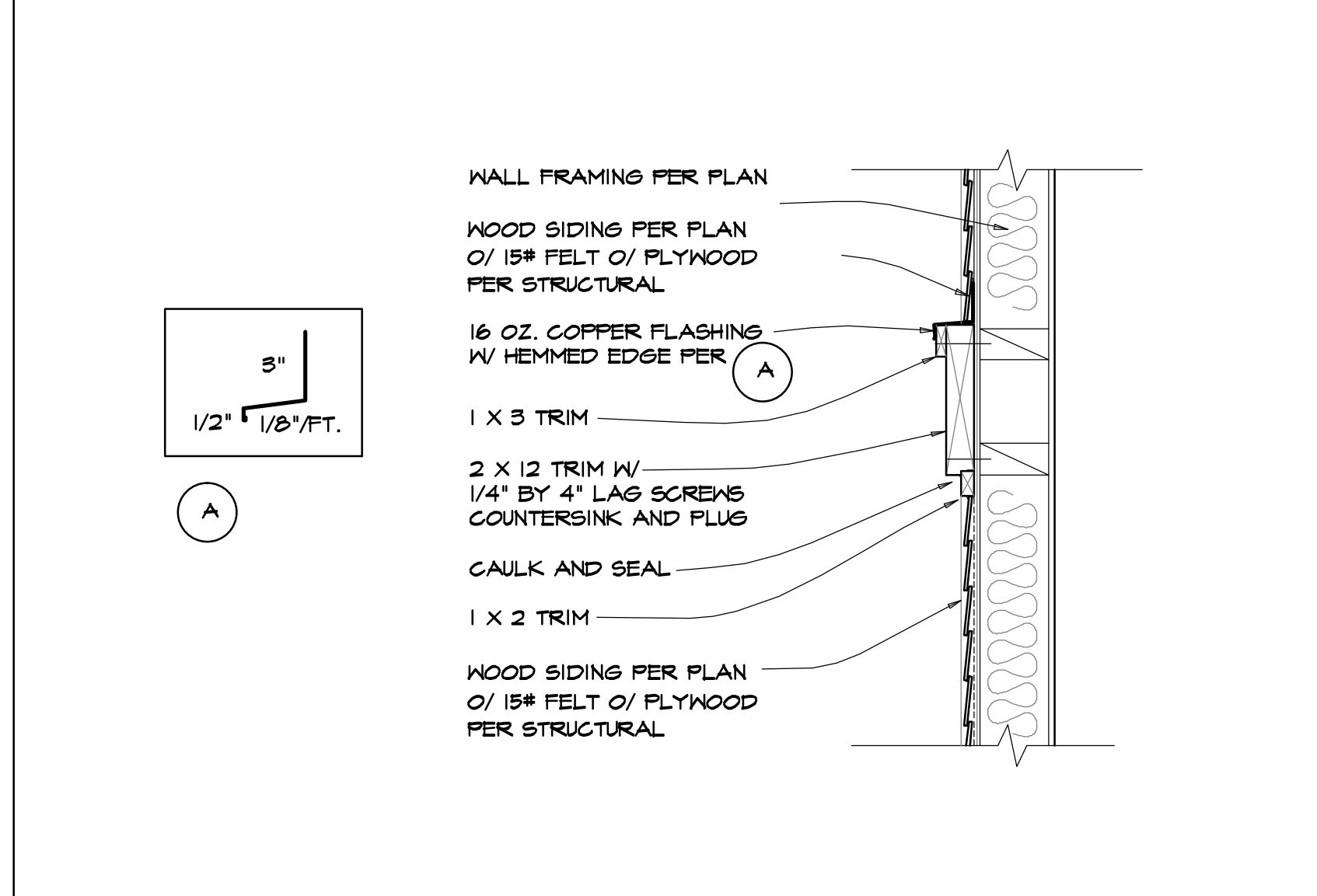
11 AT.1 EXT. DOOR THRESHOLD @ DECK SCALE: 1" = 1'-0"



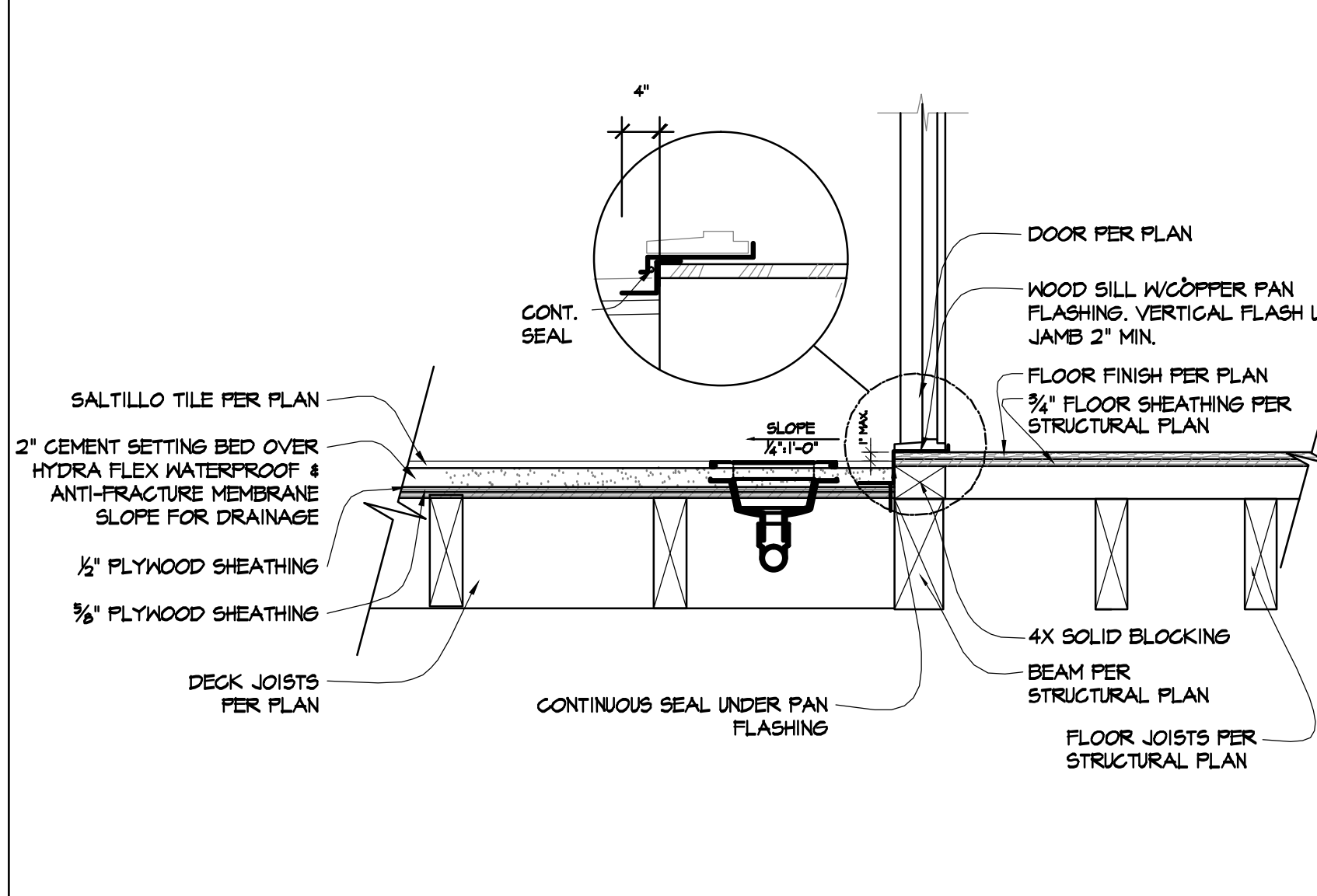
7 AT.1 CRICKET AT WALL SCALE: 1" = 1'-0"



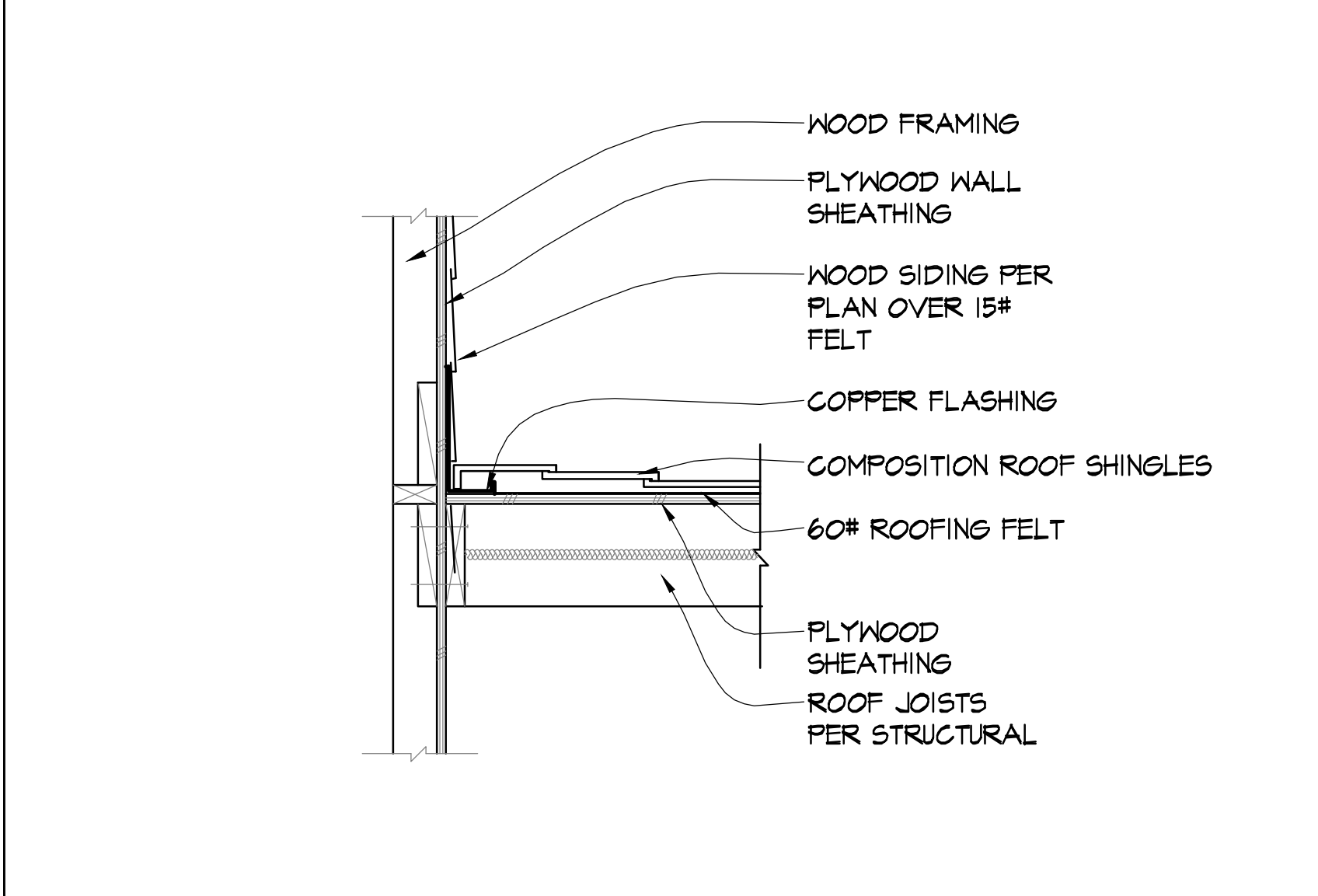
3 AT.1 GABLE END SCALE: 1" = 1'-0"



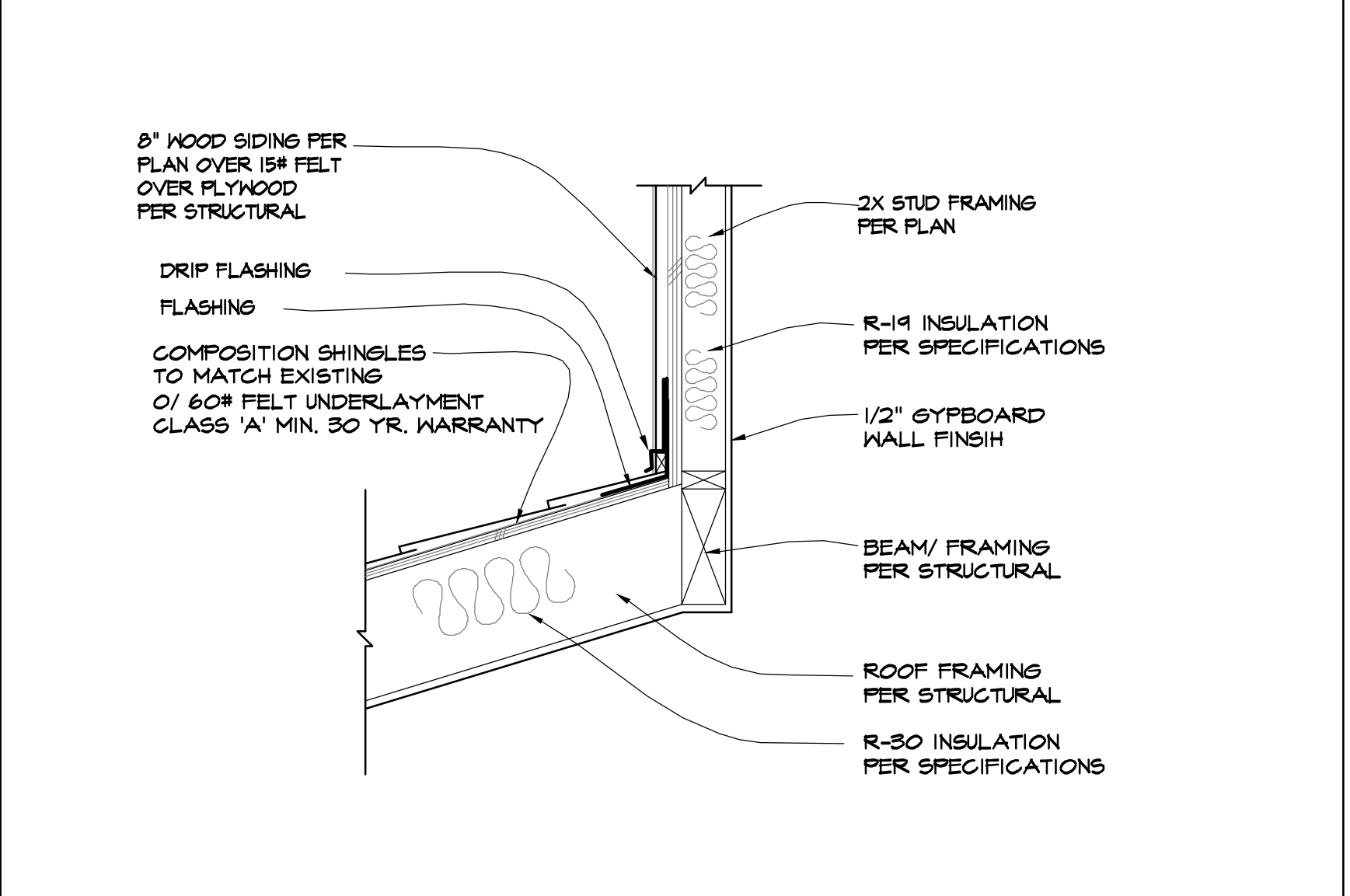
16 AT.1 TRANSITION @ EDGE BAND SCALE: 1" = 1'-0"



12 AT.1 EXT. DOOR THRESHOLD W/ DRAIN SCALE: 3/4" = 1'-0"

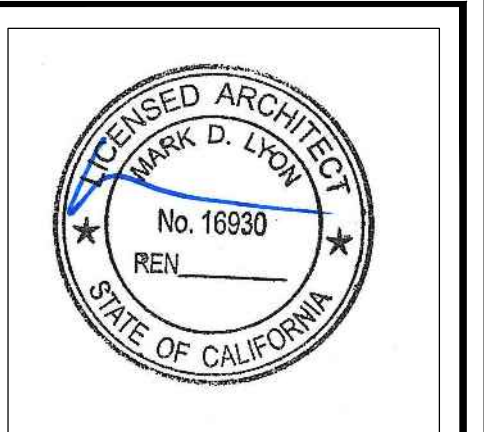


8 AT.1 ROOF TO WALL SCALE: 1" = 1'-0"



4 AT.1 ROOF TO WALL SCALE: 1" = 1'-0"

ARCHITECT MARK D. LYON INC.
 410 BIRD ROCK AVE., LA JOLLA, CA. 92037 (858) 459-1171 INFO@MDLIA.NET



MEBUST RESIDENCE
 5448 TAFT AVE
 LA JOLLA, CA 92037

REVISIONS:

SUBMITTAL DATE: 09.30.2013

PHASE: CONSTRUCTION DOCUMENTS

PROJECT NUMBER: 1306

REVIEWED BY: MDL

DRAWN BY: SEH

DATE: 09.30.2013

SHEET TITLE: ARCHITECTURAL DETAILS

SHEET NO.: A7.1

All design, plans and specifications are the property of Architect Mark D. Lyon, Inc. No part of this document may be reproduced, stored in a retrieval system, or transmitted in any form or by any means, without the express written consent of Architect Mark D. Lyon, Inc. A.A.A. is a registered trademark of Architect Mark D. Lyon, Inc. All other trademarks are the property of their respective owners.