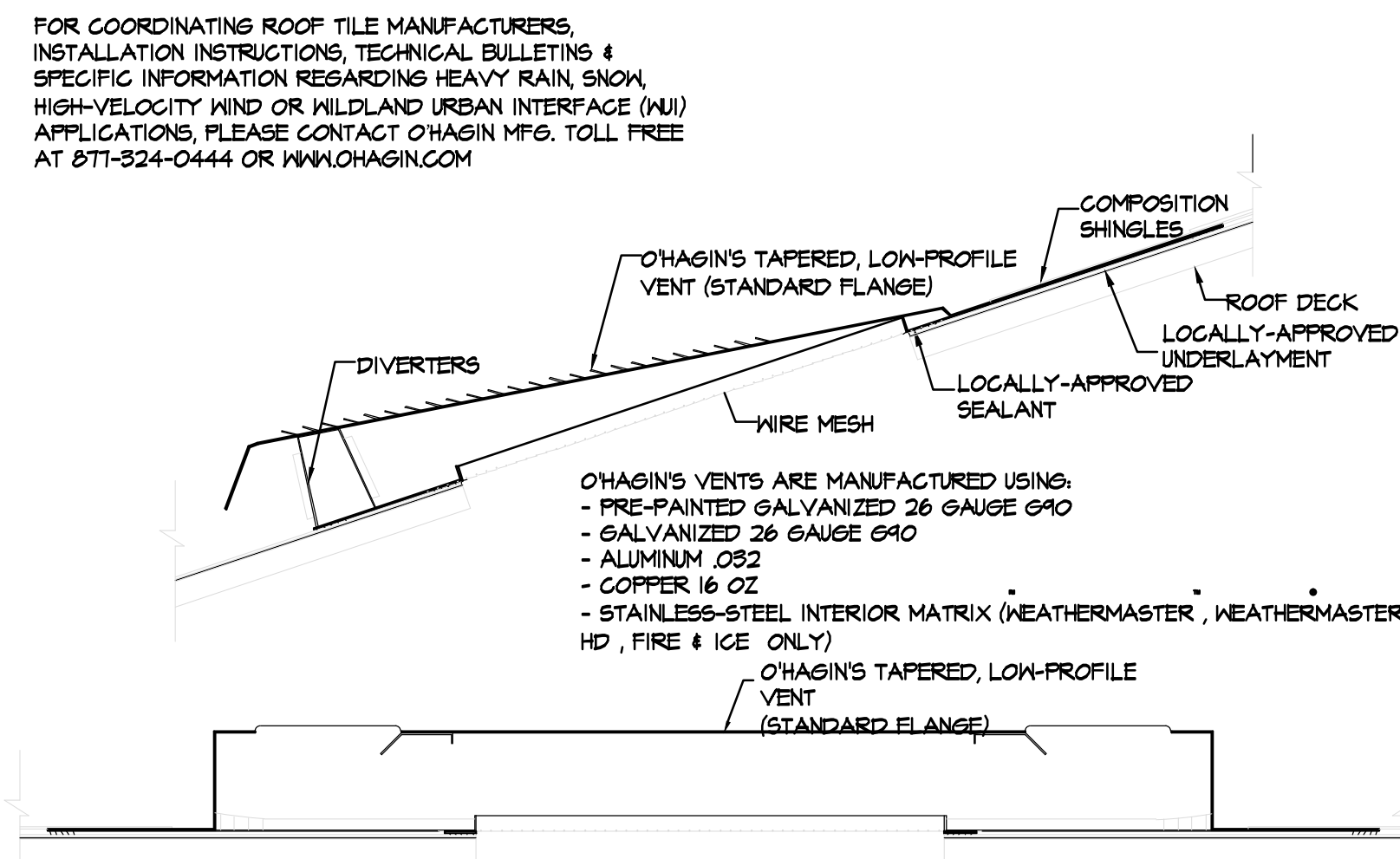
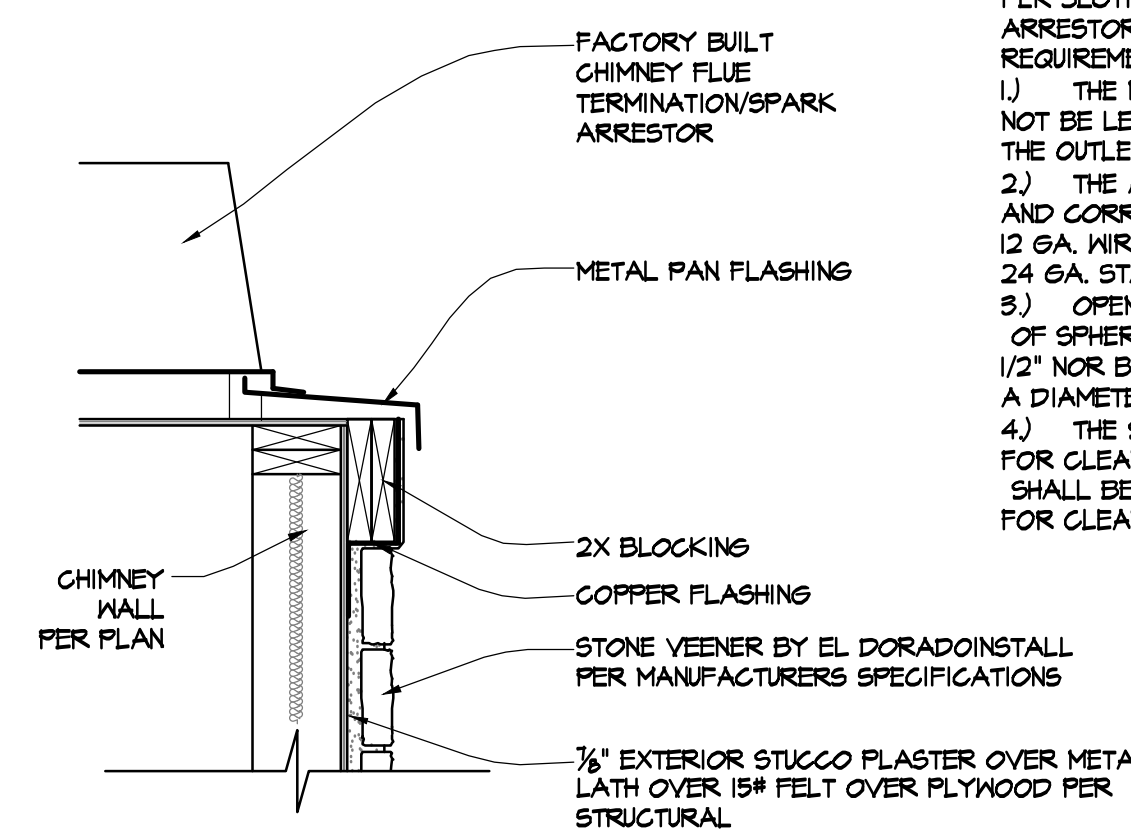


1  
A7.3 VENT PENETRATION DETAIL SCALE: 1" = 1'-0"

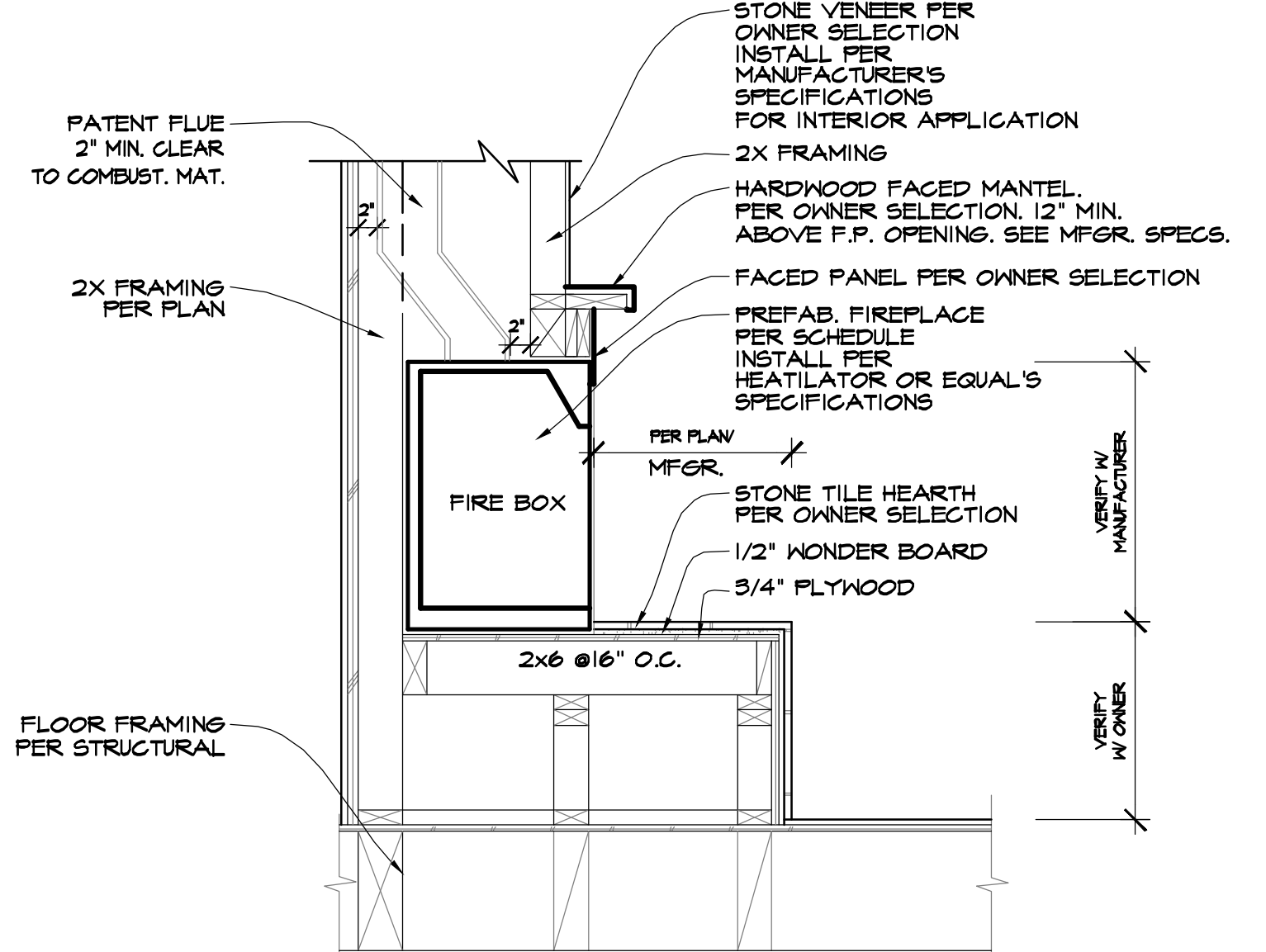


2  
A7.3 ROOF VENT DETAIL SCALE: NTS

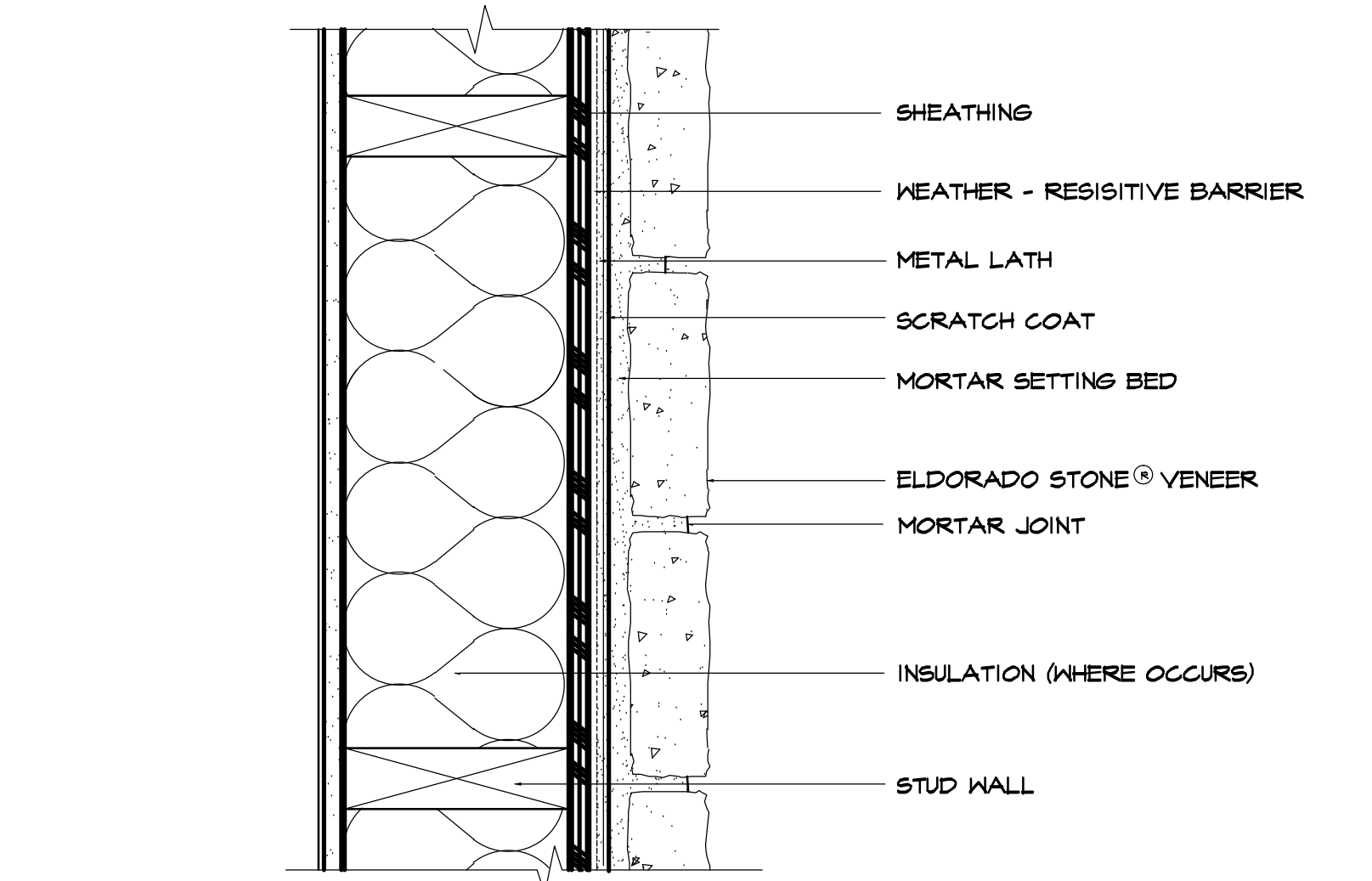


3  
A7.3 CHIMNEY CAP DETAIL SCALE: 1" = 1'-0"

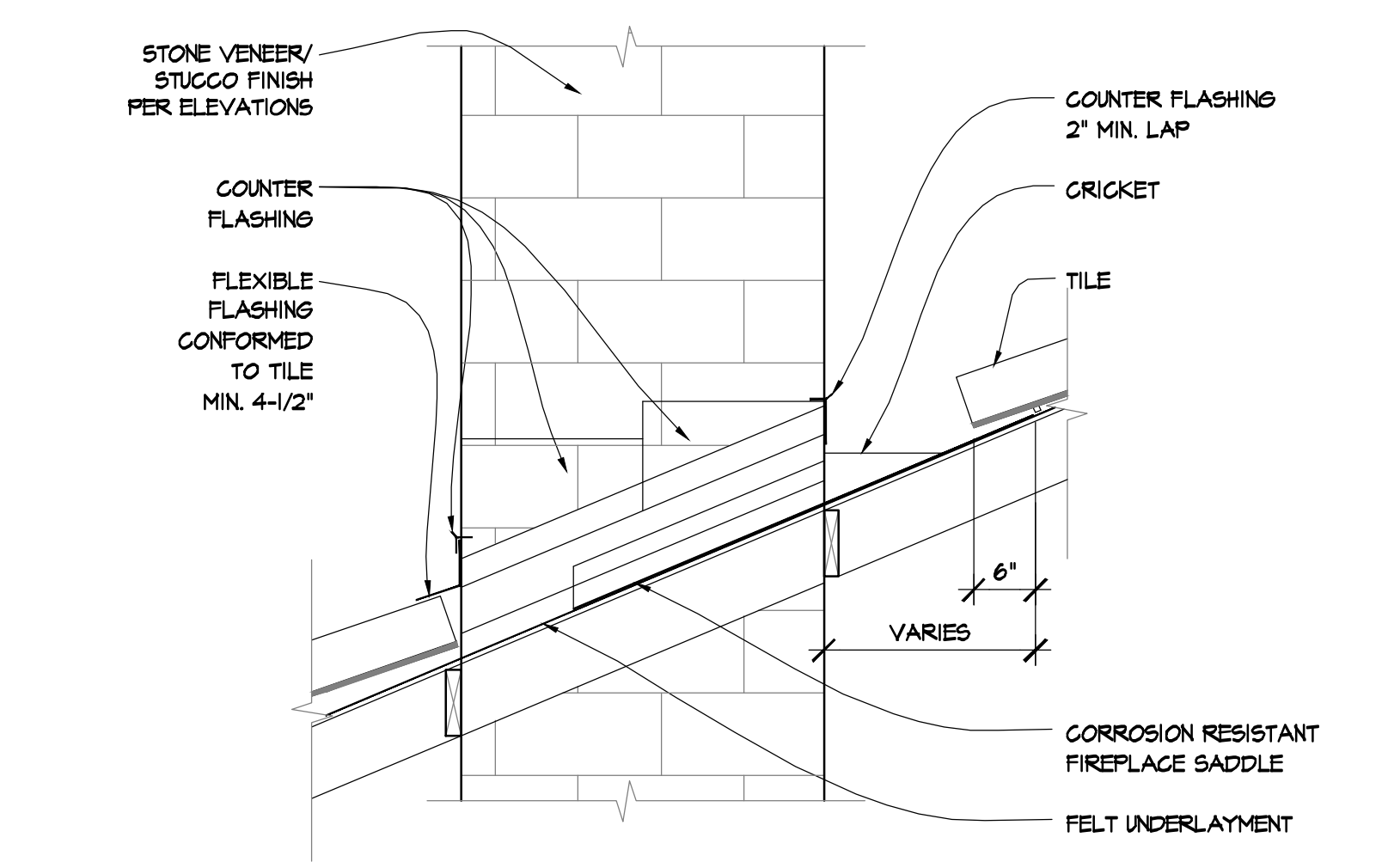
PER SECTION R1003.1 OF THE 2010 IRC THE SPARK ARRESTOR SHALL MEET THE FOLLOWING REQUIREMENTS:  
 1) THE NET FREE AREA OF THE ARRESTOR SHALL NOT BE LESS THAN 4 TIMES THE NET FREE AREA OF THE OUTLET OF THE CHIMNEY FLUE IT SERVES.  
 2) THE ARRESTOR SCREEN SHALL HAVE HEAT AND CORROSION RESISTANCE EQUIVALENT TO 12 GA. WIRE, 14 GA. GALVANIZED STEEL, OR 24 GA. STAINLESS STEEL.  
 3) OPENINGS SHALL NOT PERMIT THE PASSAGE OF SPHERES HAVING A DIAMETER GREATER THAN 1/2" NOR BLOCK THE PASSAGE OF SPHERES HAVING A DIAMETER LESS THAN 3/8".  
 4) THE SPARK ARRESTOR SHALL BE ACCESSIBLE FOR CLEANING AND THE SCREEN OR CHIMNEY CAP SHALL BE REMOVABLE TO ALLOW FOR CLEANING OF THE CHIMNEY FLUE.



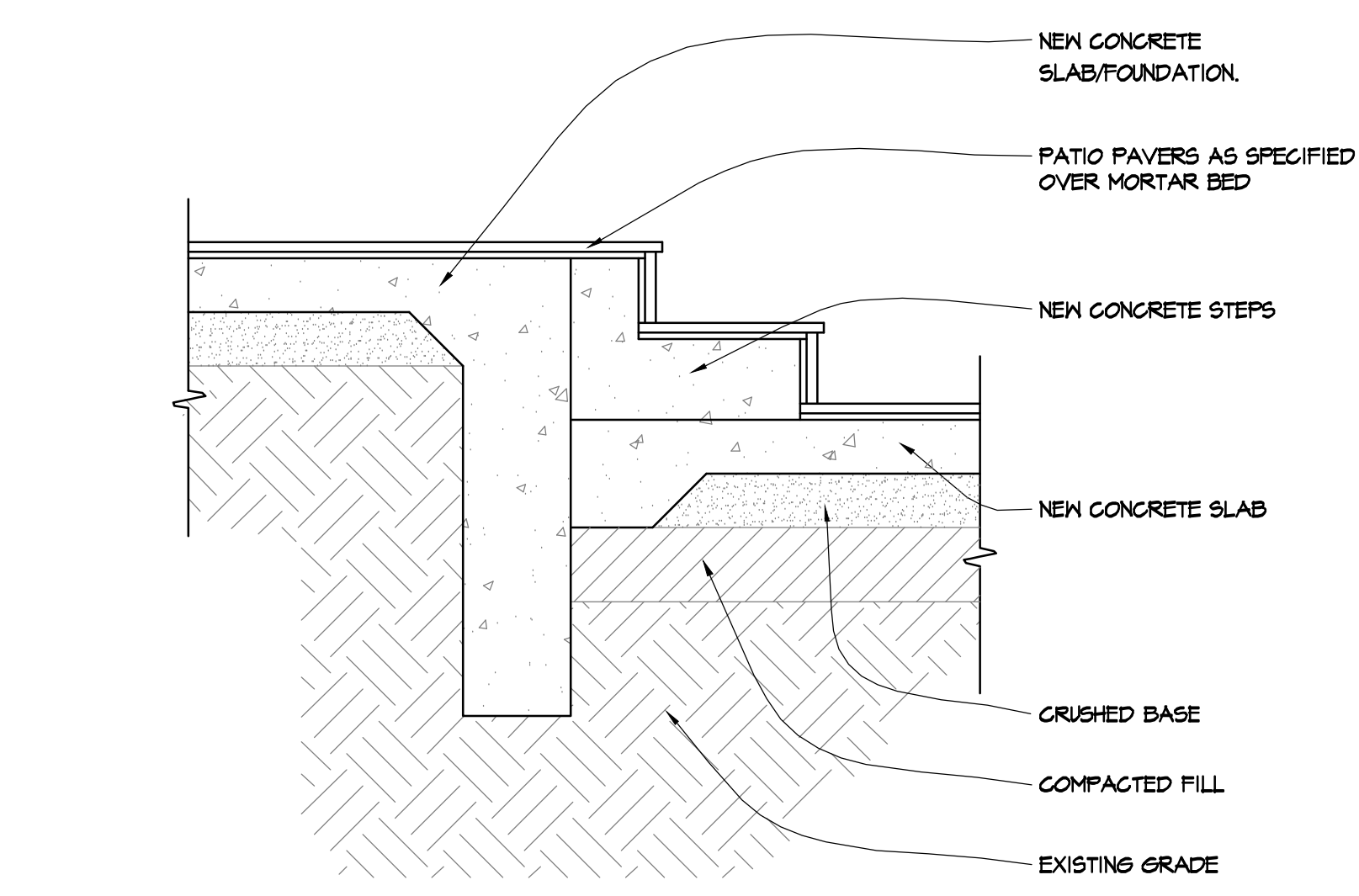
4  
A7.3 DIRECT VENT FIREPLACE SCALE: 3/4" = 1'-0"



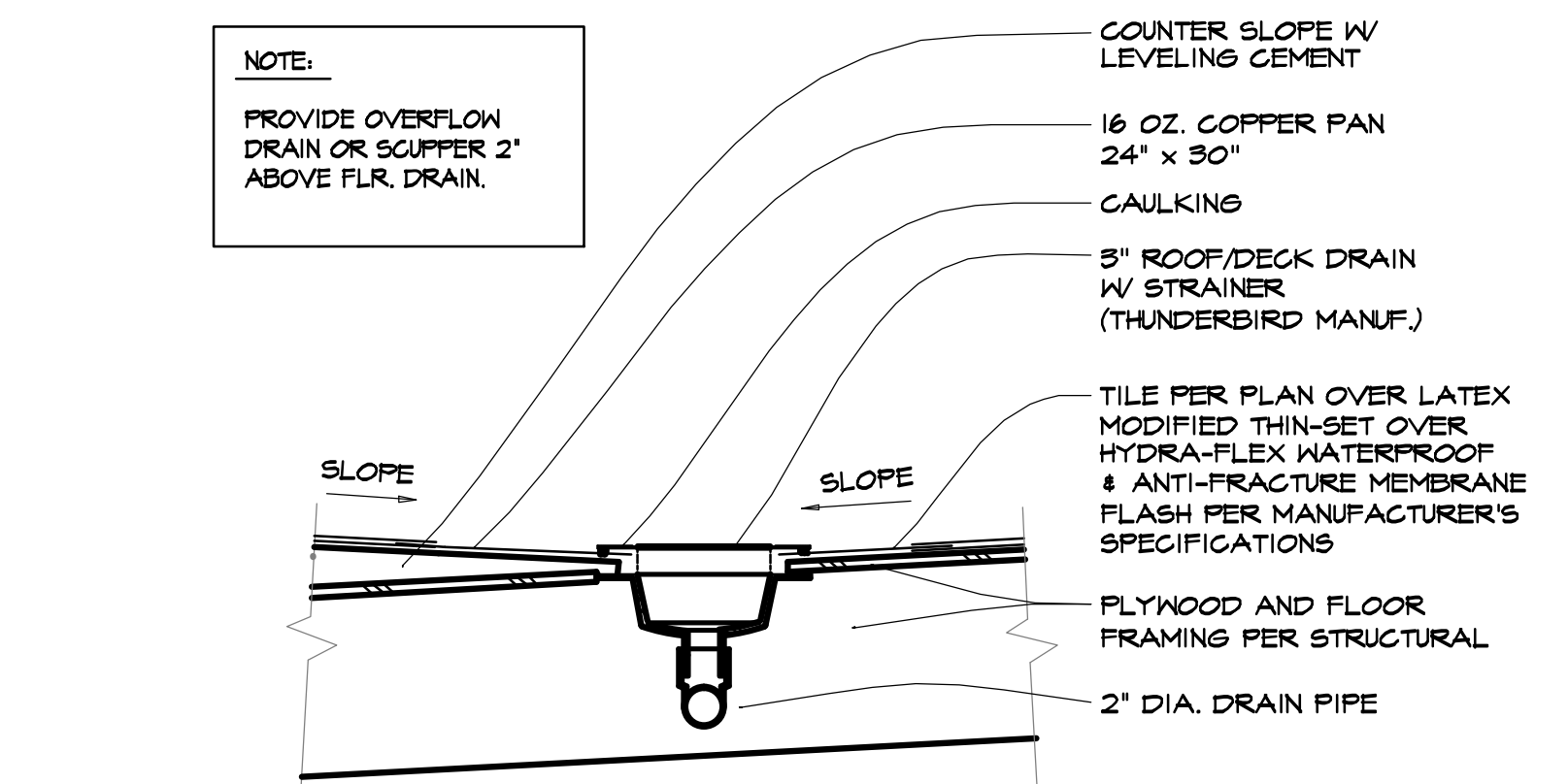
5  
A7.3 STONE VENEER DETAIL SCALE: 3" = 1'-0"



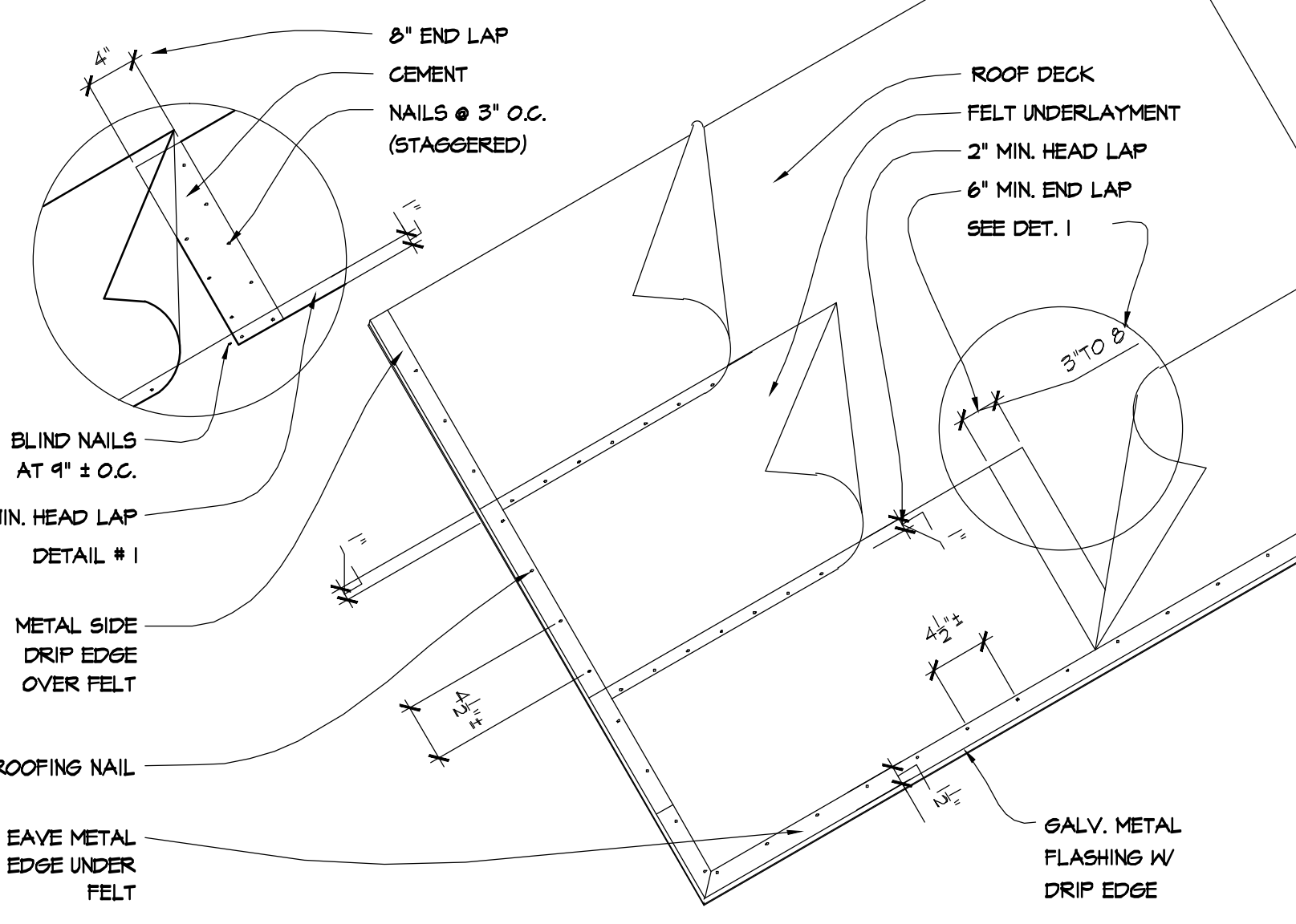
6  
A7.3 CHIMNEY FLASHING SCALE: 3/4" = 1'-0"



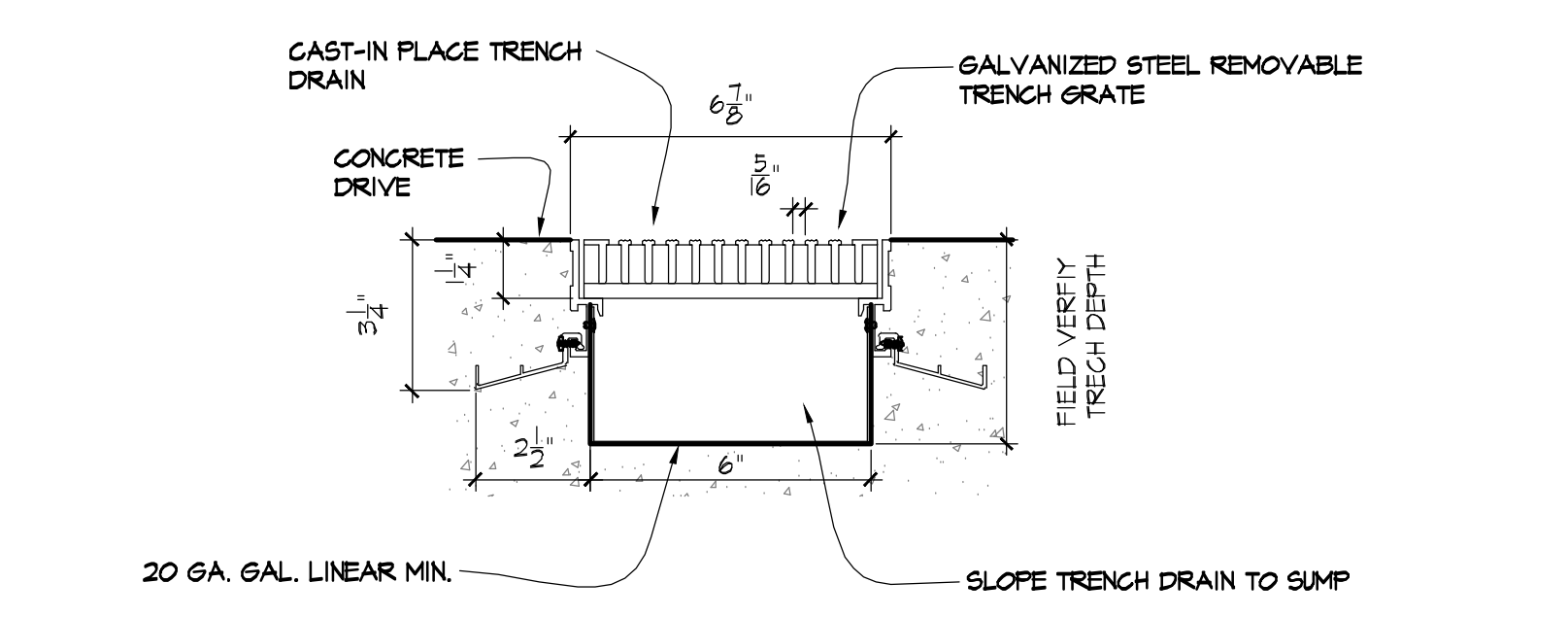
7  
A7.3 CONCRETE STEPS SCALE: 1" = 1'-0"



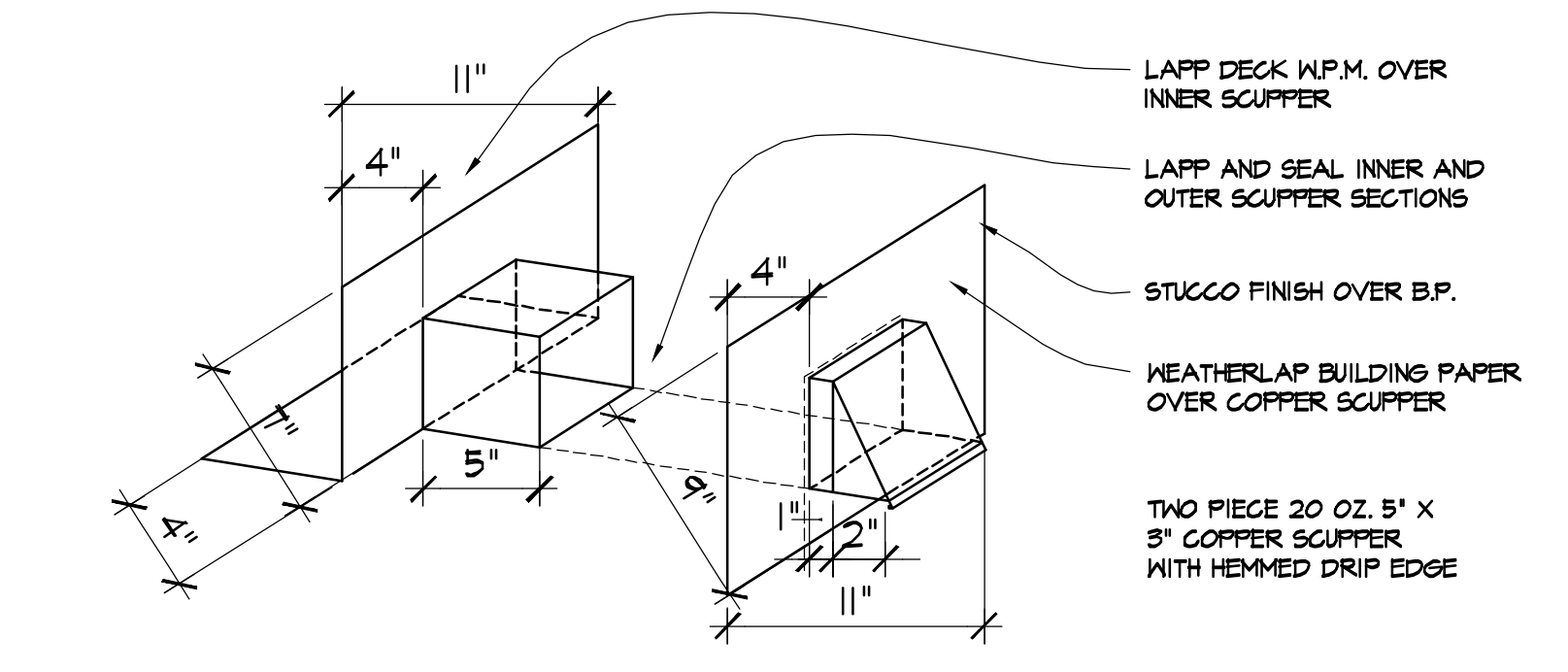
8  
A7.3 ROOF DRAIN SCALE: 1" = 1'-0"



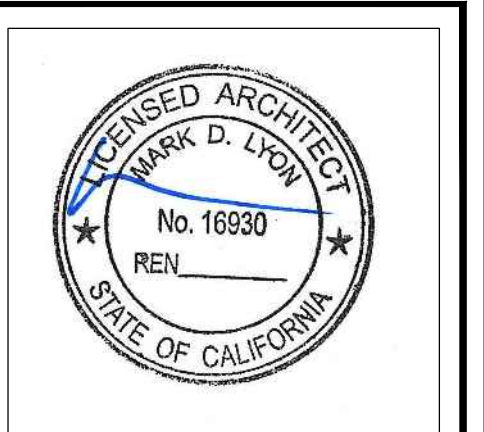
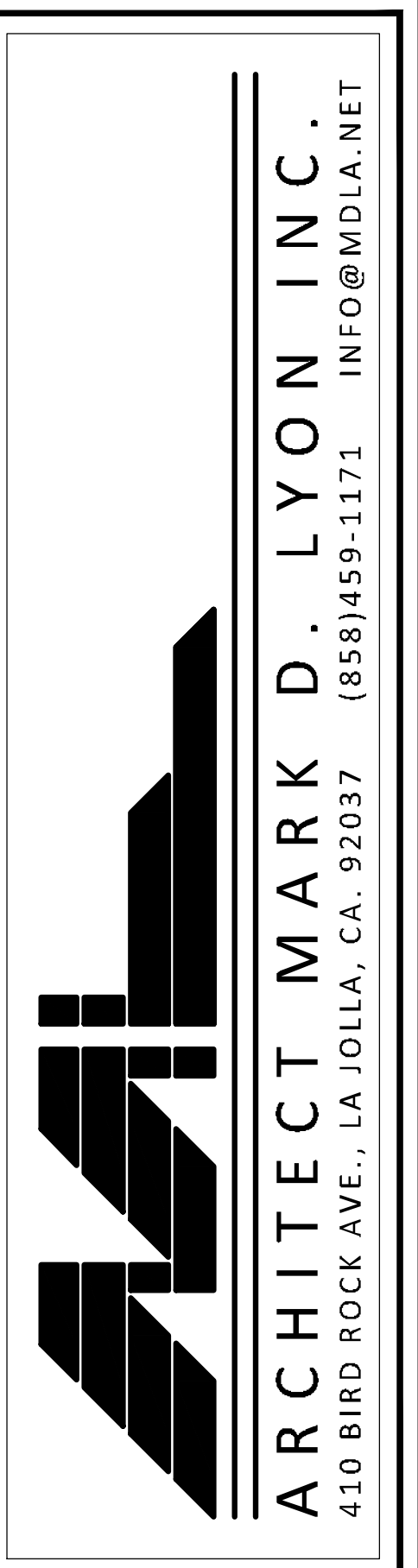
9  
A7.3 FELT UNDERLAYMENT SCALE: 1" = 1'-0"



10  
A7.3 TRENCH DRAIN SCALE: 3" = 1'-0"



11  
A7.3 SCUPPER DETAIL SCALE: 1 1/2" = 1'-0"



**MEBUST RESIDENCE**  
 5448 TAFT AVE  
 LA JOLLA, CA 92037

SUBMITTAL DATE: 09.30.2013	
PHASE: CONSTRUCTION DOCUMENTS	
PROJECT NUMBER: 1306	
REVIEWED BY: MDL	
DRAWN BY: SEH	
DATE: 09.30.2013	
SHEET TITLE: ARCHITECTURAL DETAILS	
SHEET NO.:	

A7.3

All design, plans and specifications are prepared by the firm of Architect Mark D. Lyon, Inc. 88 the original set and specific project for which they were prepared. Reproduction or dissemination of these drawings without the express written consent of Architect Mark D. Lyon, Inc. is prohibited. Please do not use these drawings for any purpose, in whole or in part, without the express written consent of Architect Mark D. Lyon, Inc. AIA. Licensed Architect No. 10690 State of California.