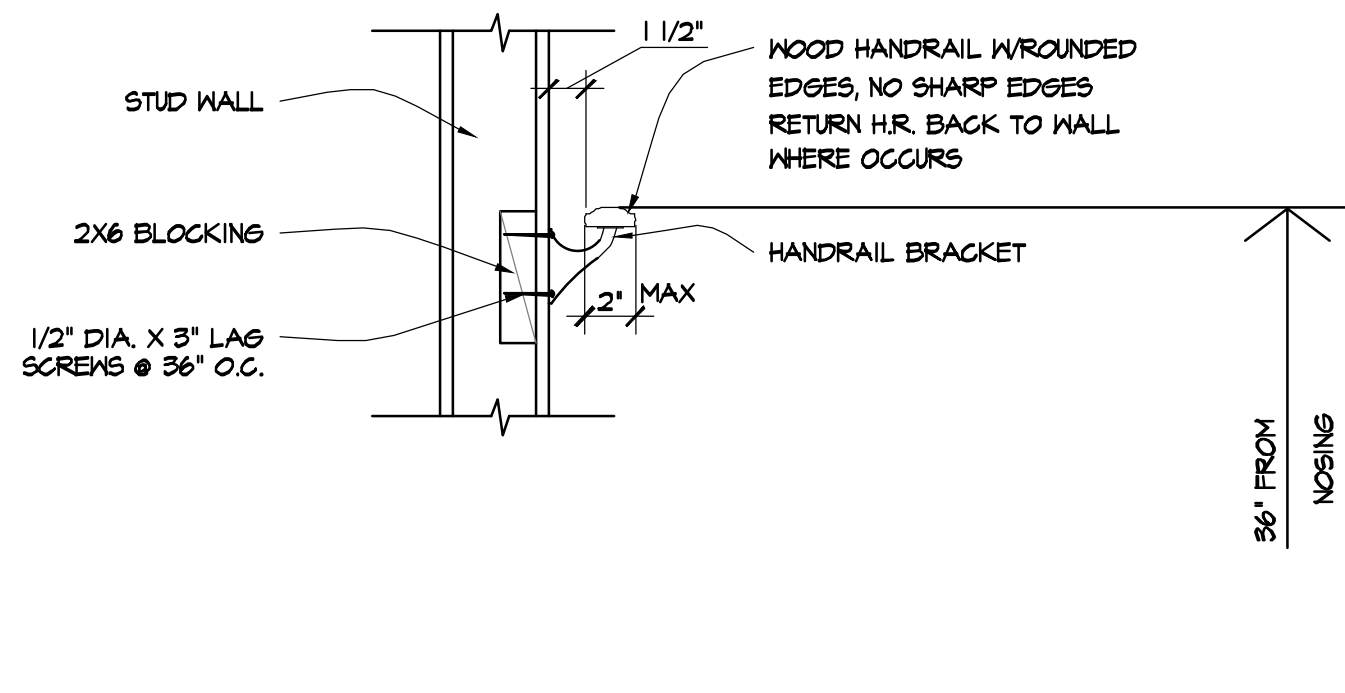


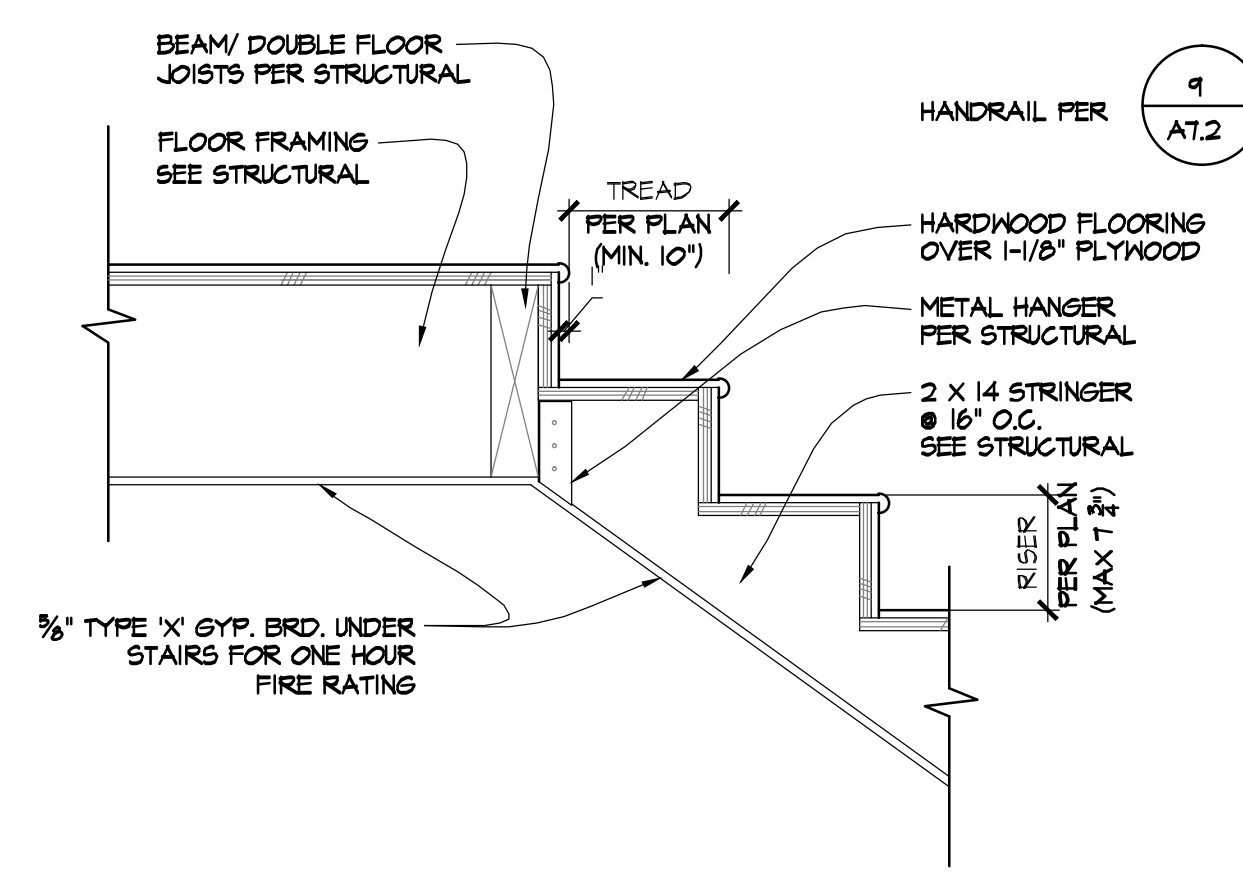
13  
A7.2 GUARDRAIL @ WALL

SCALE: 1" = 1'-0"



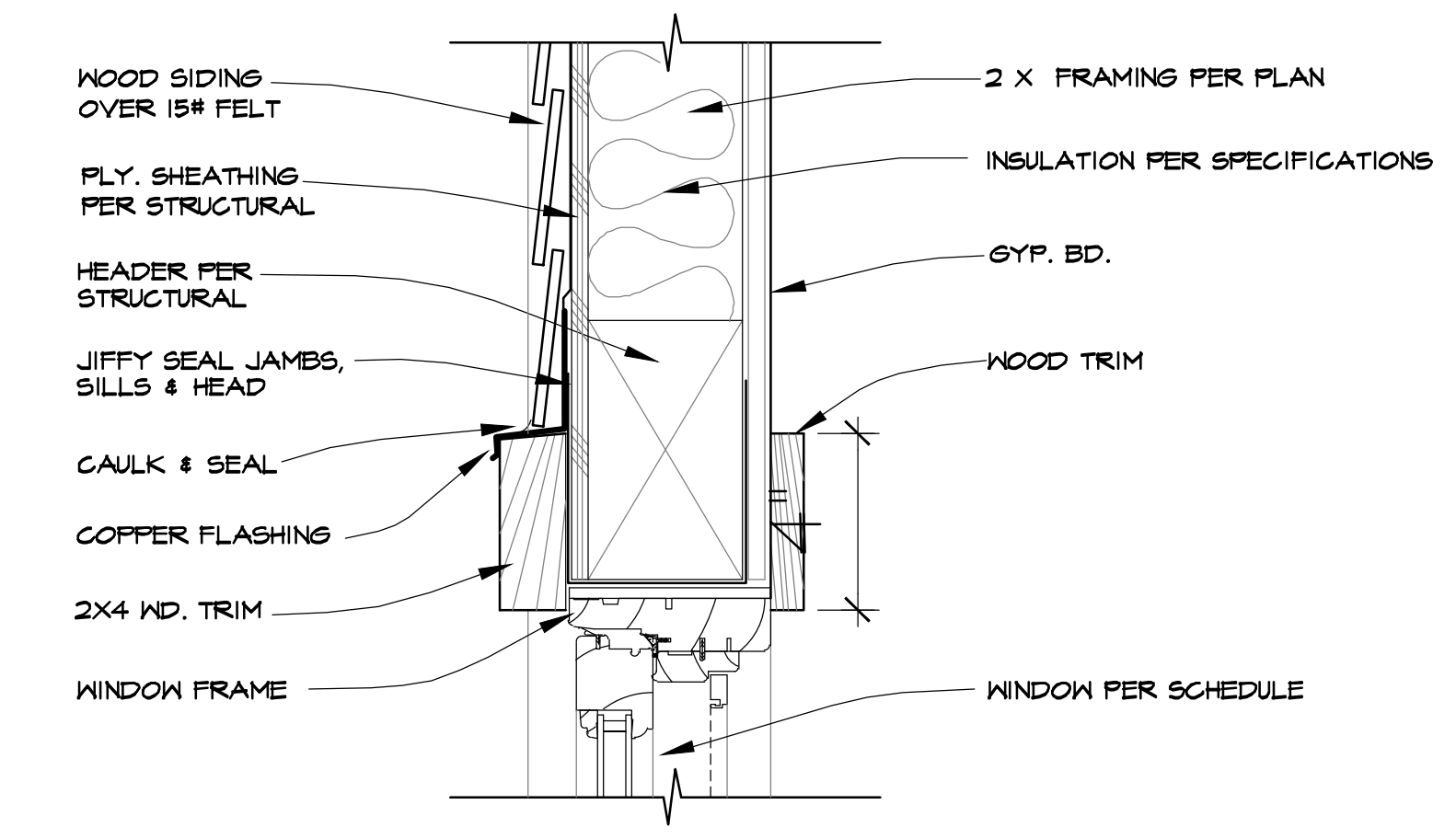
9  
A7.2 HANDRAIL DETAIL

SCALE: 1 1/2" = 1'-0"



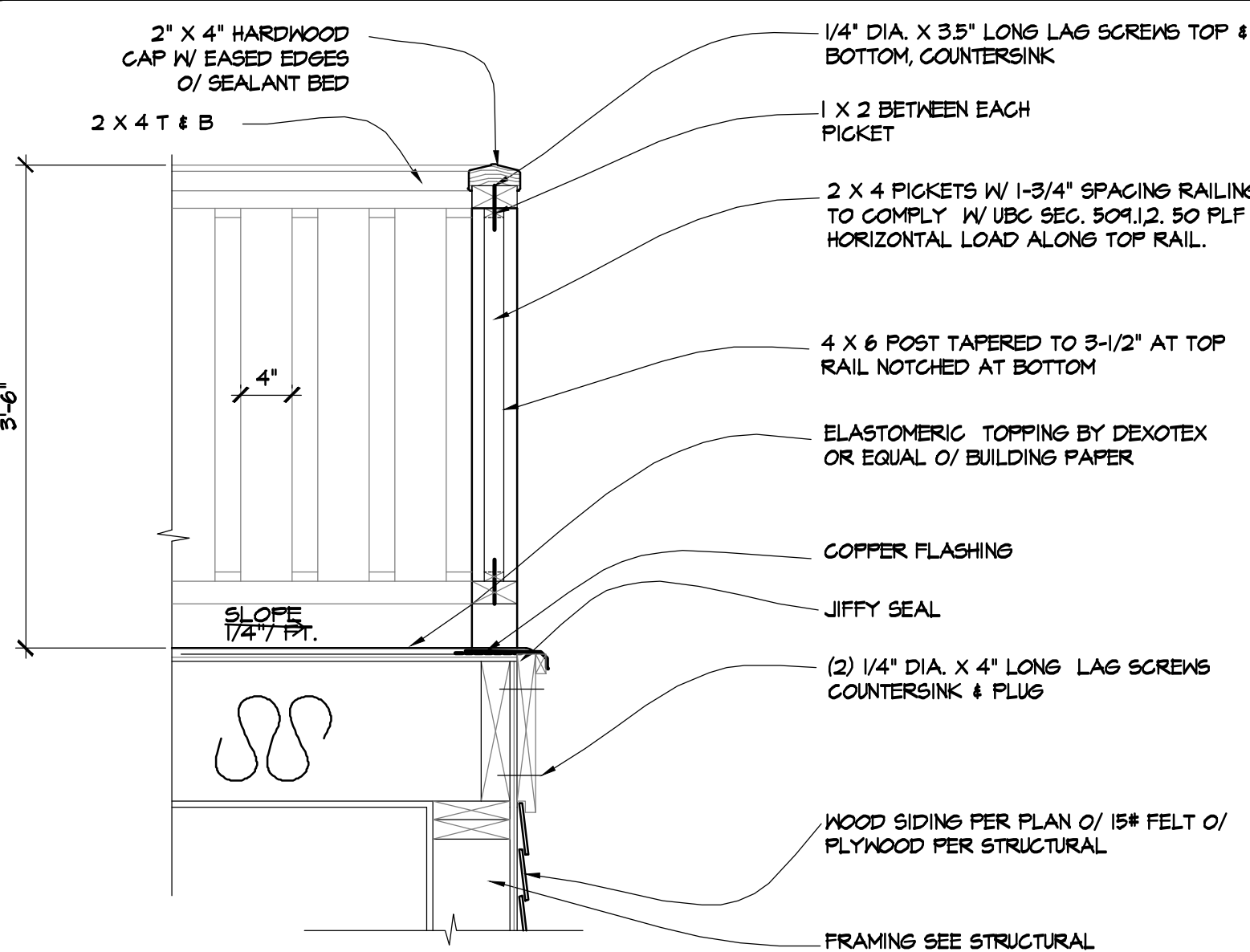
5  
A7.2 TOP OF STAIRS

SCALE: 1" = 1'-0"



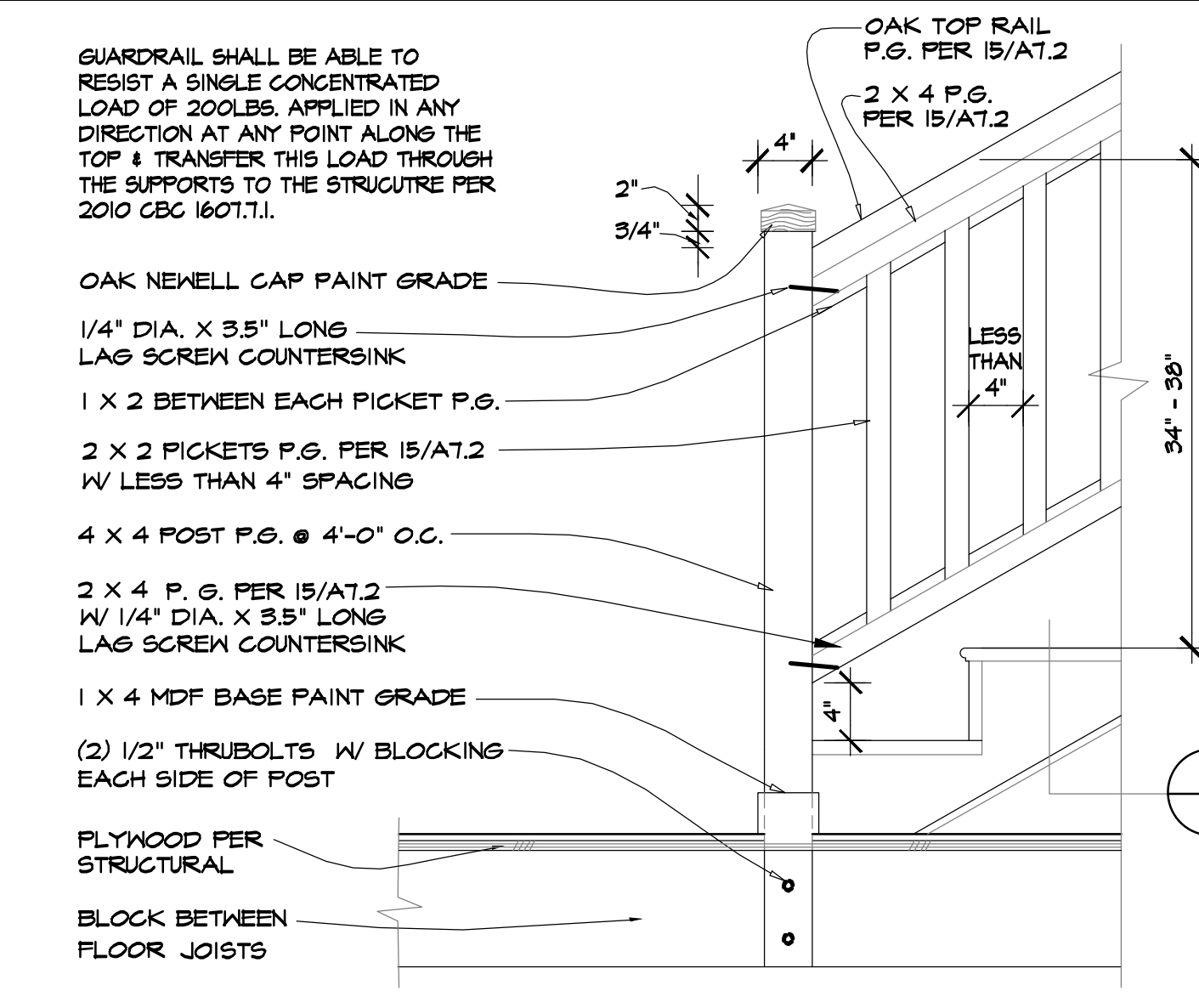
1  
A7.2 WINDOW HEADER

SCALE: 3" = 1'-0"



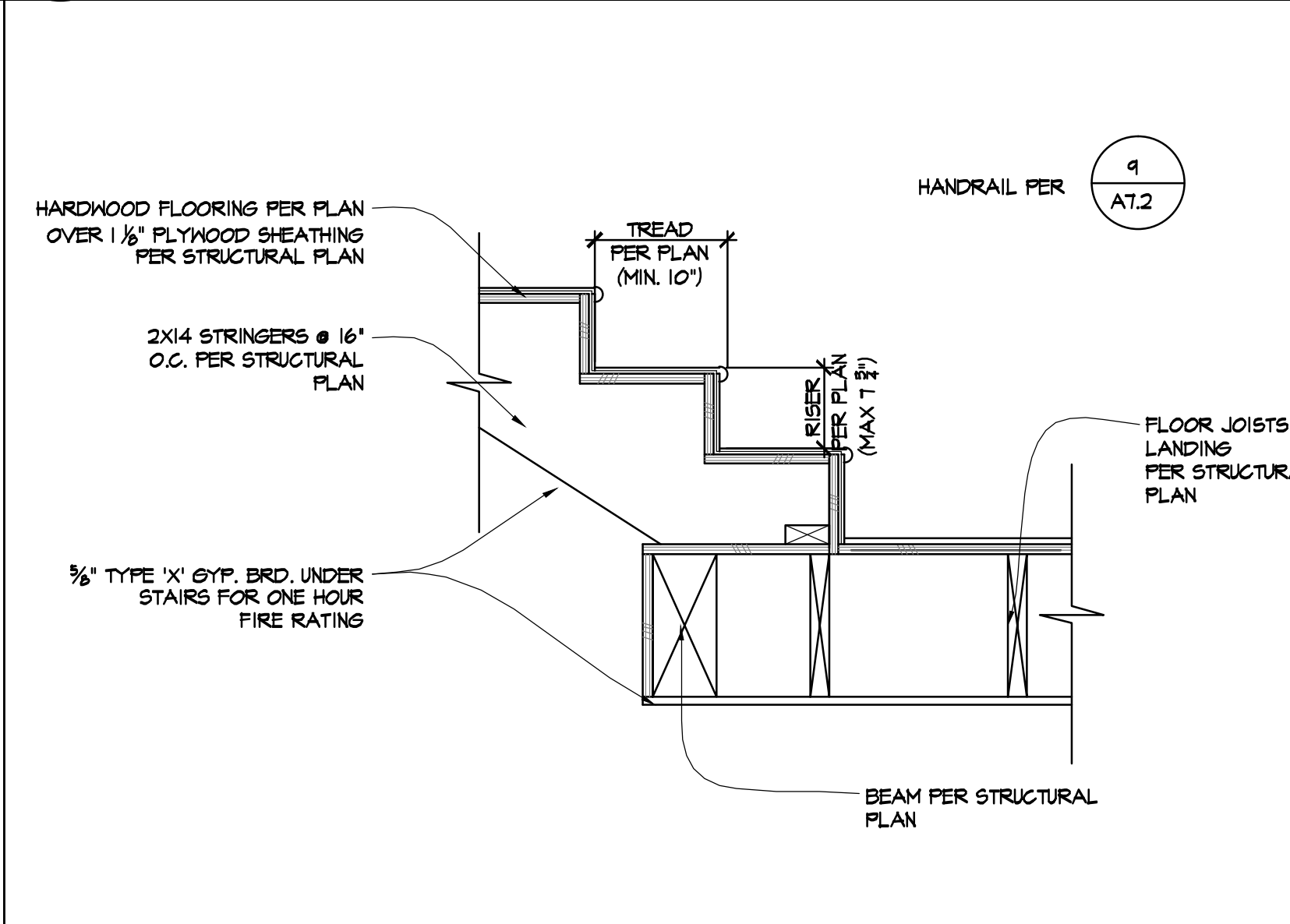
14  
A7.2 GUARDRAIL DETAIL

SCALE: 1" = 1'-0"



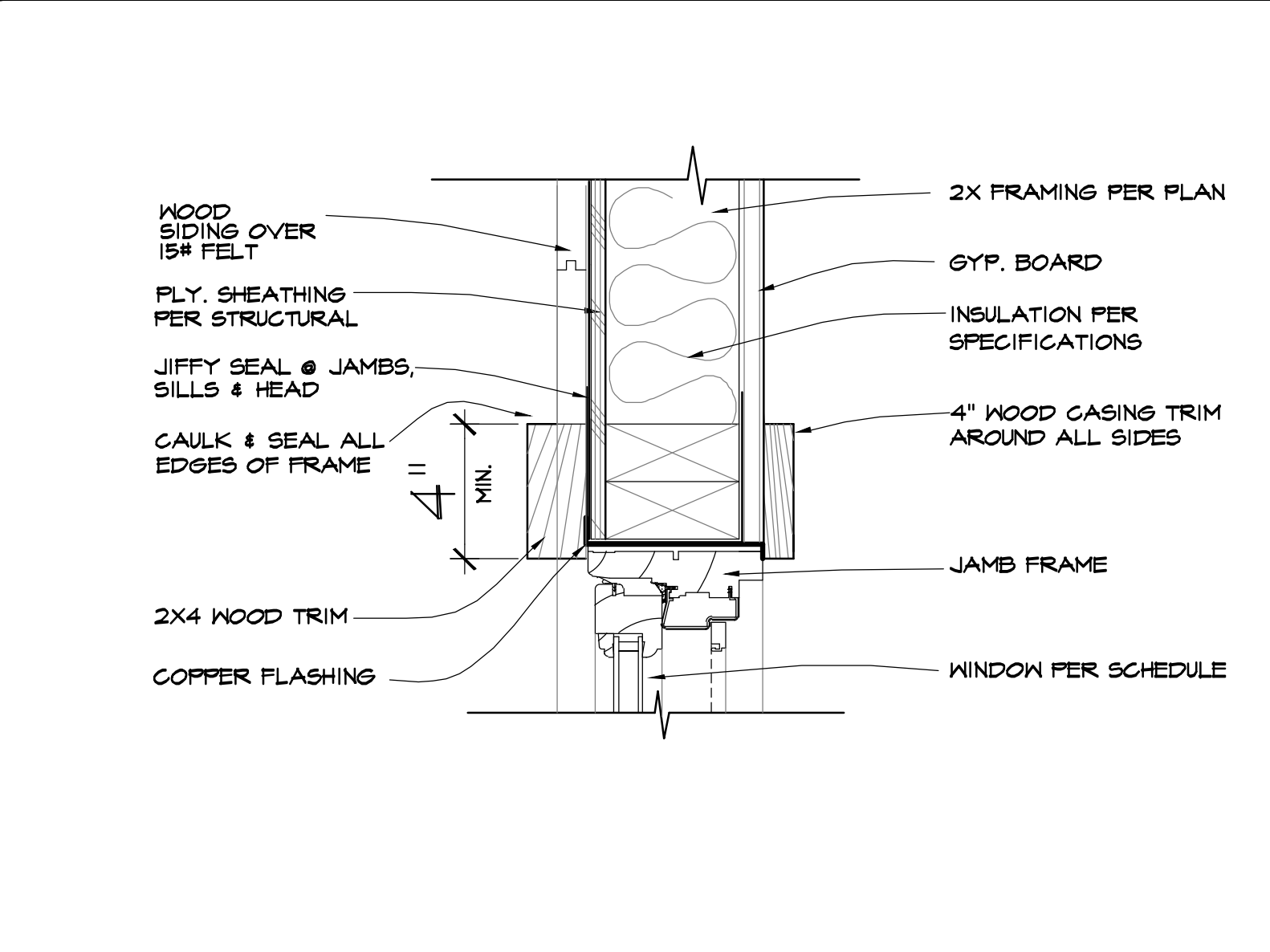
10  
A7.2 STAIR DETAIL

SCALE: 1" = 1'-0"



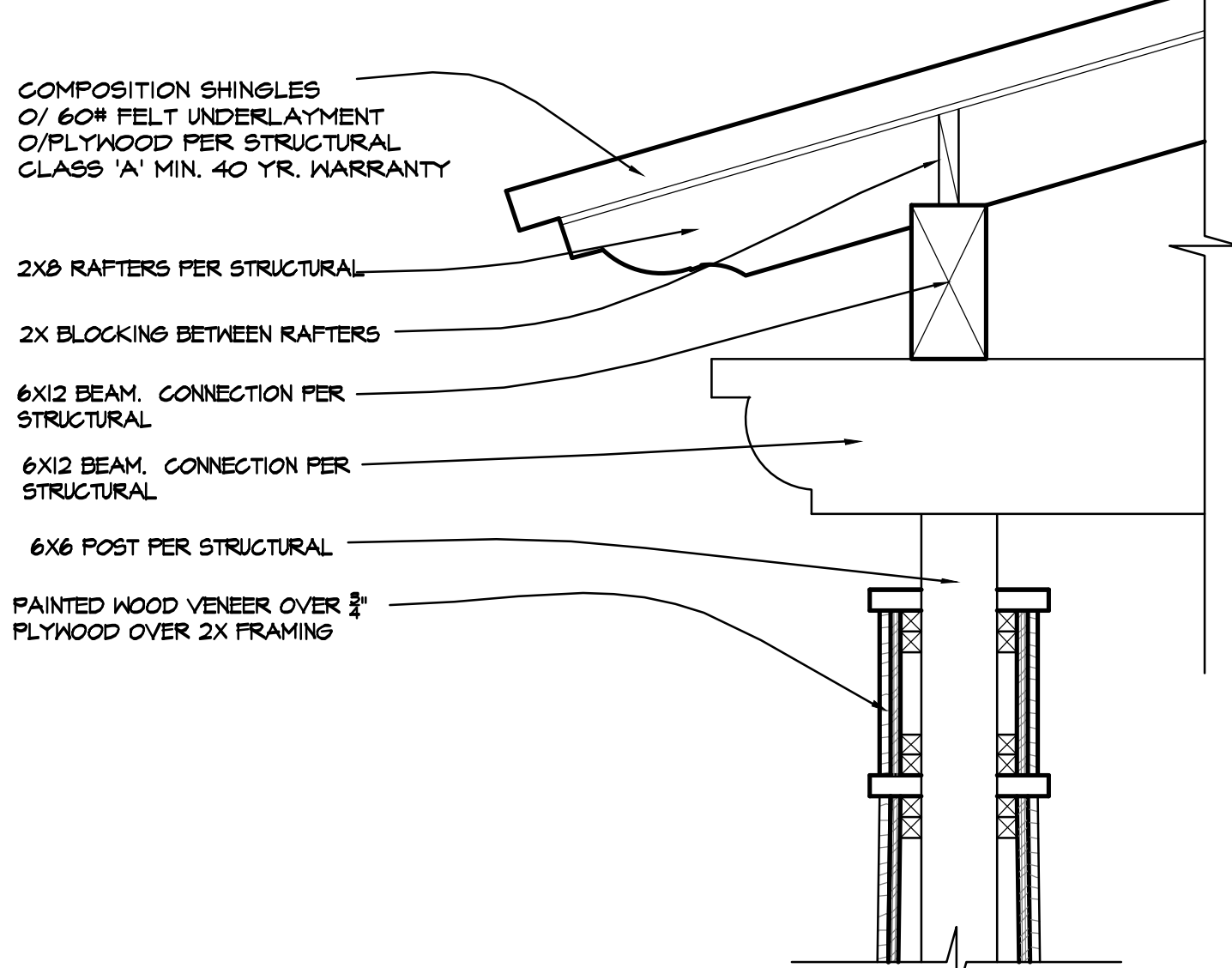
6  
A7.2 STAIR @ LANDING

SCALE: 1" = 1'-0"



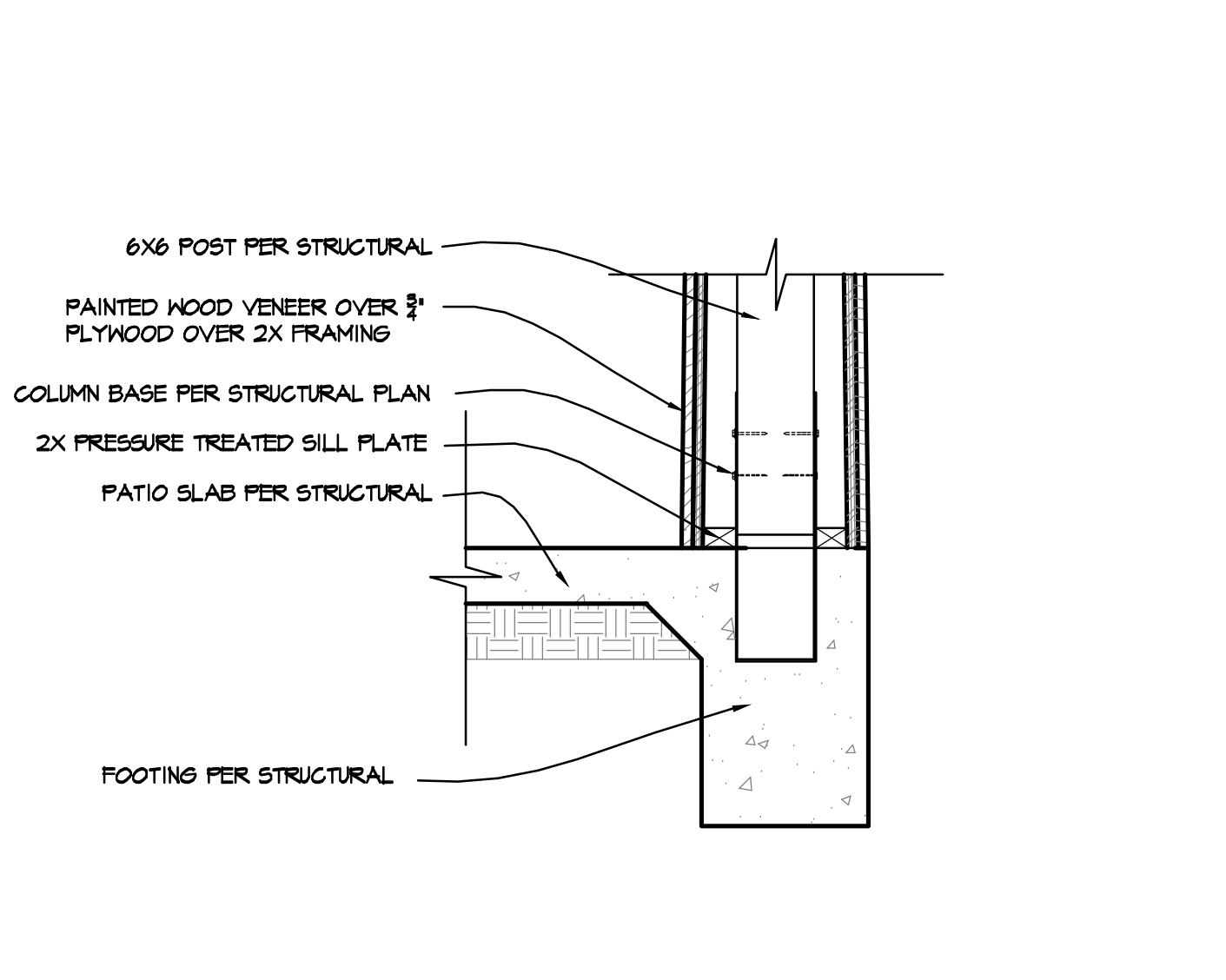
2A7.2 WINDOW JAMB

SCALE: 3" = 1'-0"



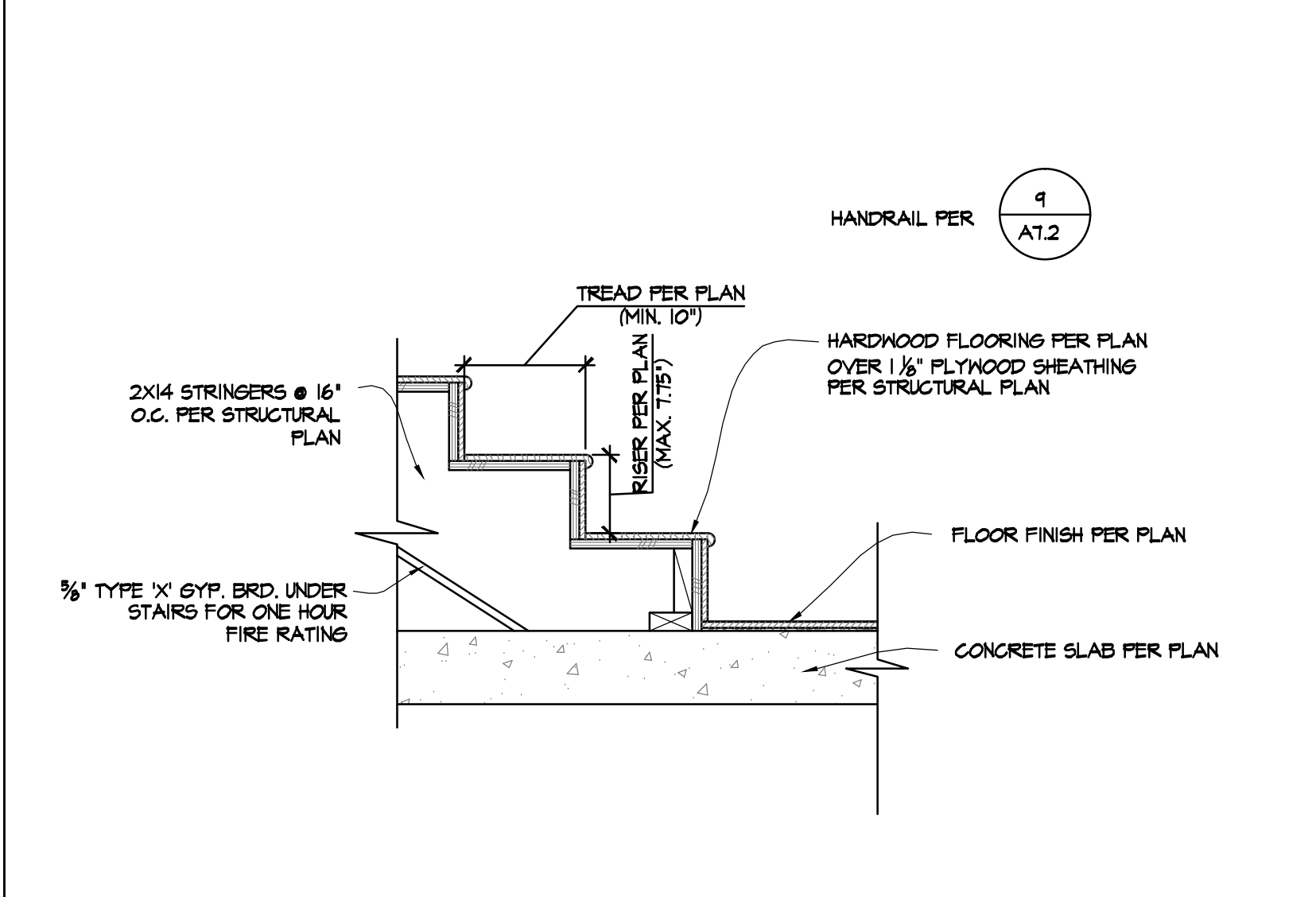
15  
A7.2 COLUMN @ EAVE

SCALE: 3" = 1'-0"



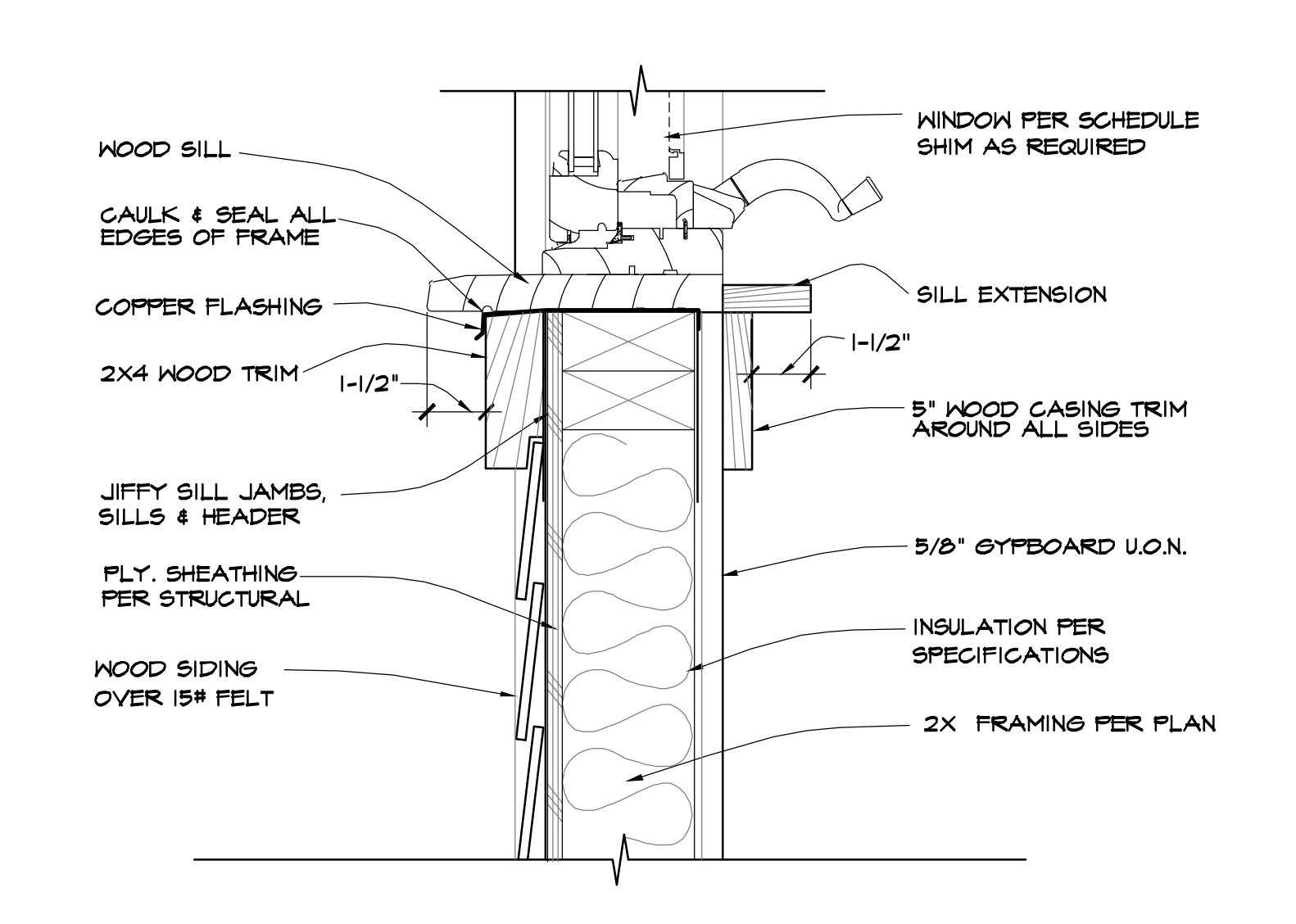
11  
A7.2 COLUMN @ PATIO SLAB

SCALE: 1" = 1'-0"



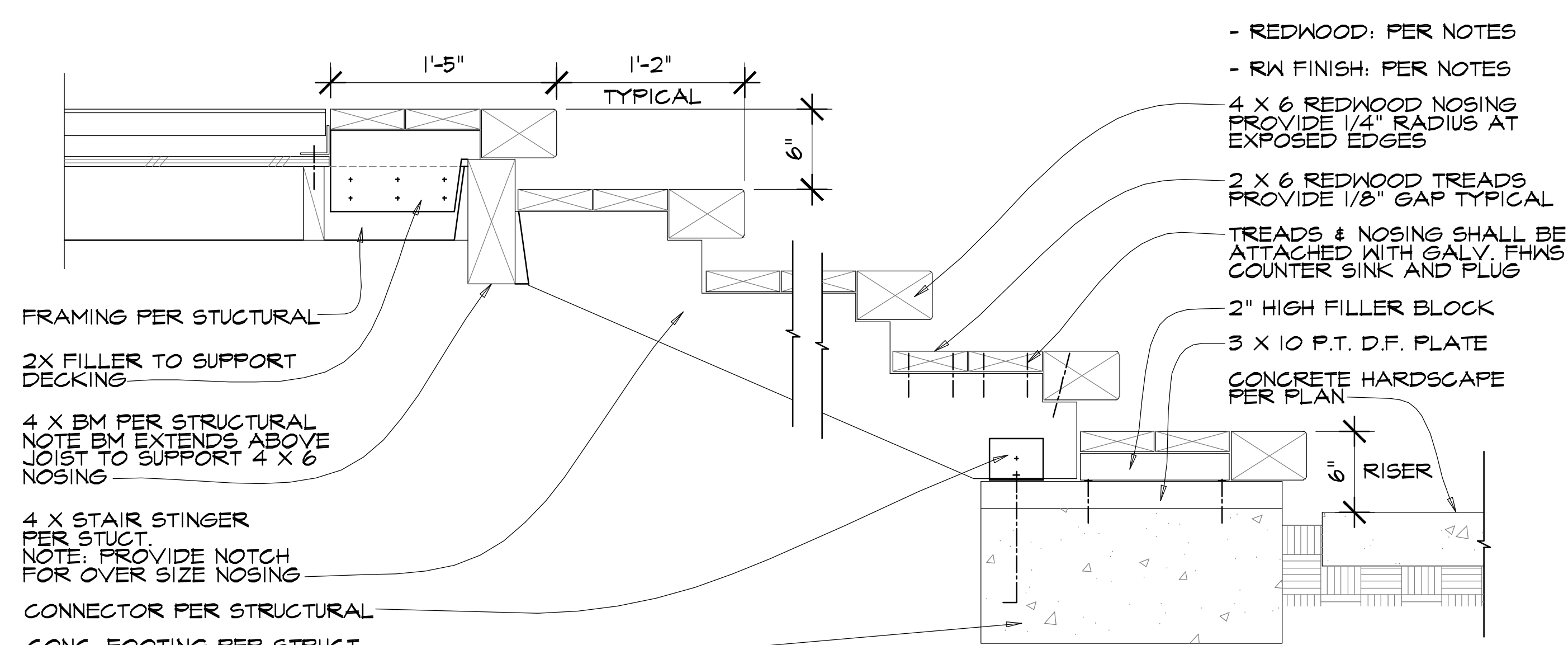
7  
A7.2 STAIR AT CONCRETE SLAB

SCALE: 1" = 1'-0"



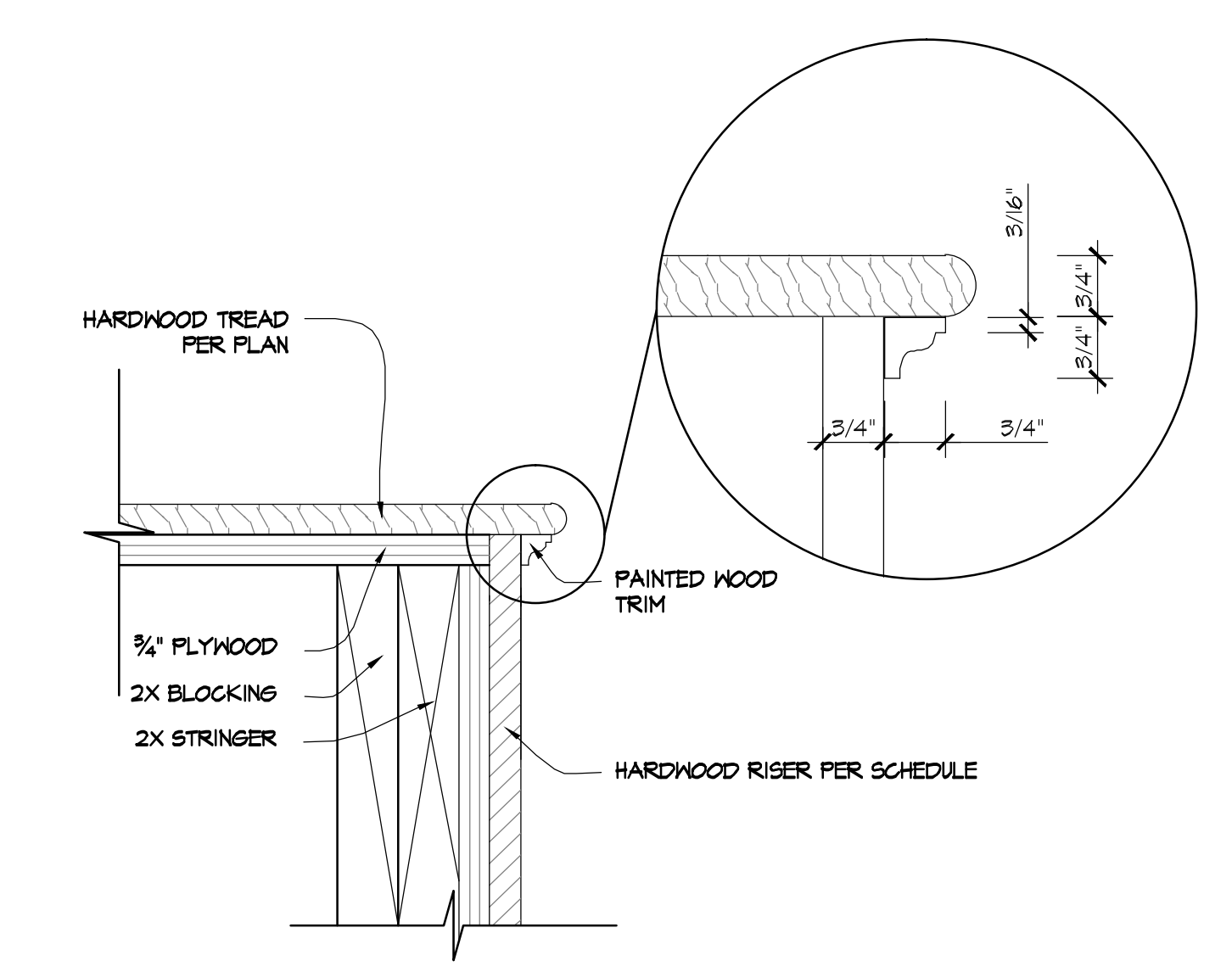
3  
A7.2 WINDOW SILL

SCALE: 3" = 1'-0"



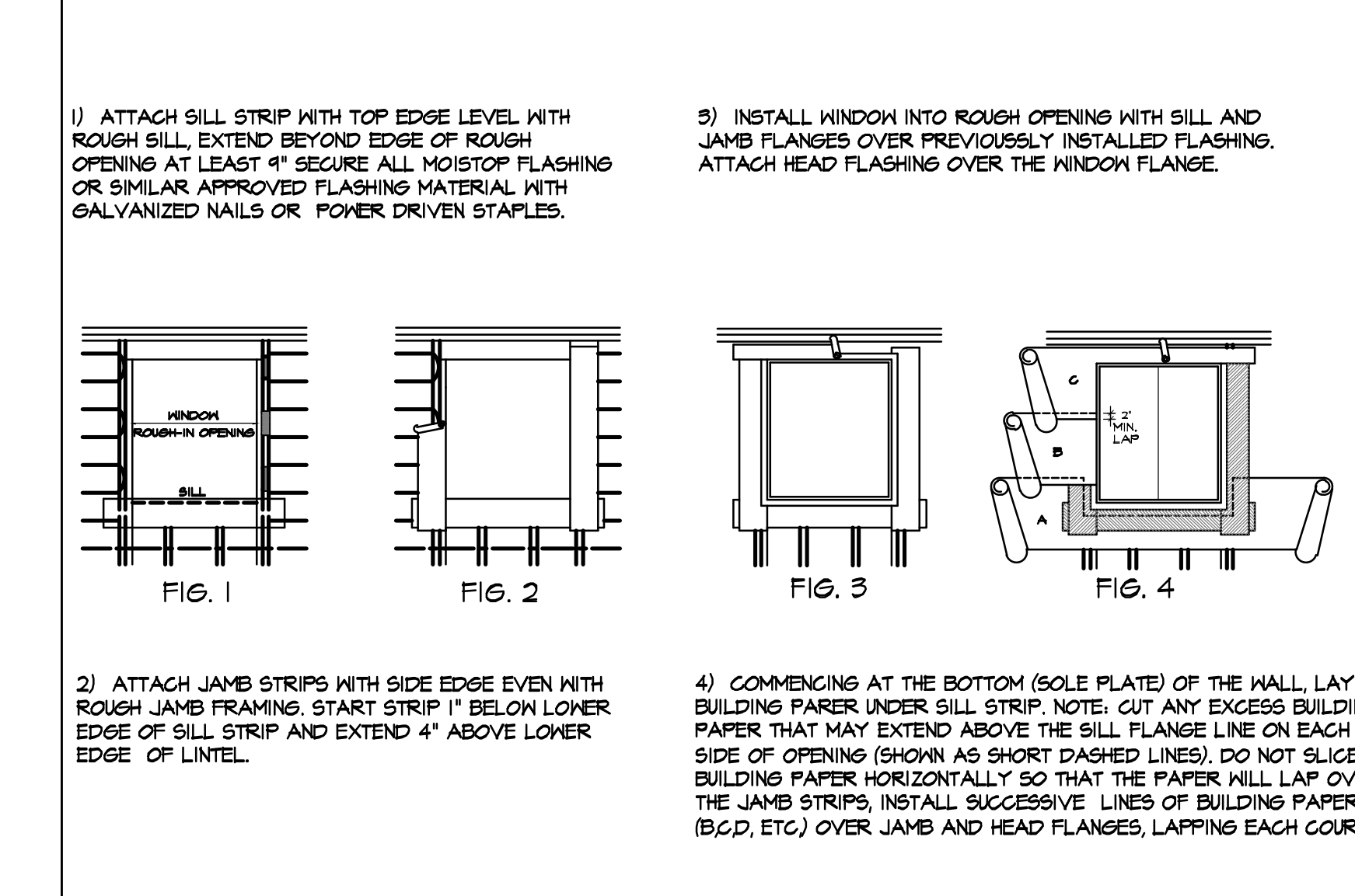
16  
A7.2 EXTERIOR EOOD STAIR

SCALE: 1 1/2" = 1'-0"



8  
A7.2 STAIR NOSING DETAIL

SCALE: 3" = 1'-0"



4  
A7.2 PENETRATION FLASHING

SCALE: 1" = 1'-0"

All design, plans and specifications are the property of Architect Mark D. Lyon, Inc. & the original set and specific project for which they were prepared. Reproduction or use of these drawings without the express written consent of Architect Mark D. Lyon, Inc. is prohibited. There shall be no change or deviation from these drawings or specifications without the express written consent of Architect Mark D. Lyon, Inc. All design, plans and specifications are the property of Architect Mark D. Lyon, Inc. & the original set and specific project for which they were prepared. Reproduction or use of these drawings without the express written consent of Architect Mark D. Lyon, Inc. is prohibited. There shall be no change or deviation from these drawings or specifications without the express written consent of Architect Mark D. Lyon, Inc.